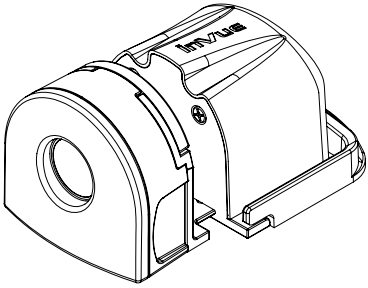
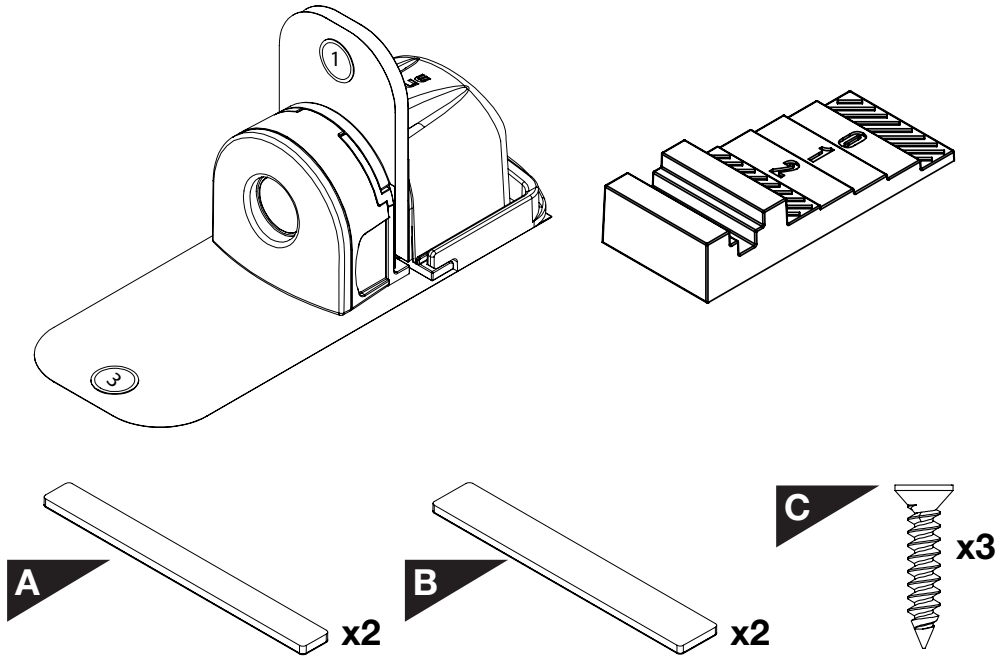


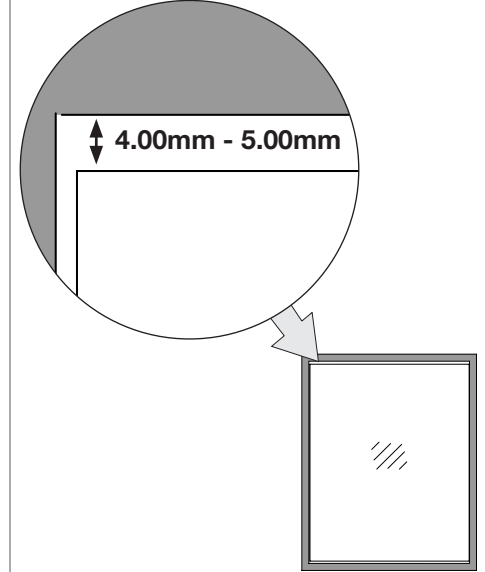
L440  
PL901



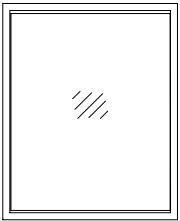
## Included Parts



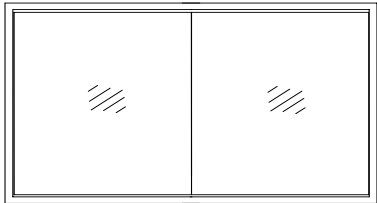
**CAUTION:** The L440 requires a gap of 4mm - 5mm between the glass door and the cabinet. If the gap is not large enough, do NOT install the lock without adjusting the panel first.



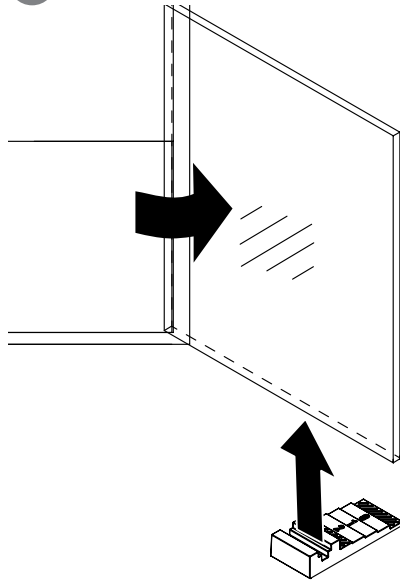
1



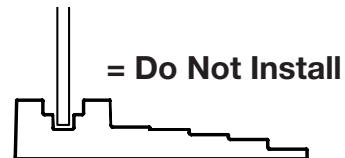
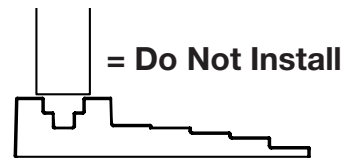
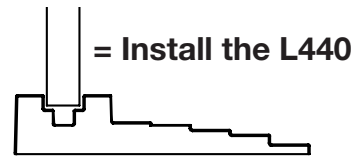
Or



2a

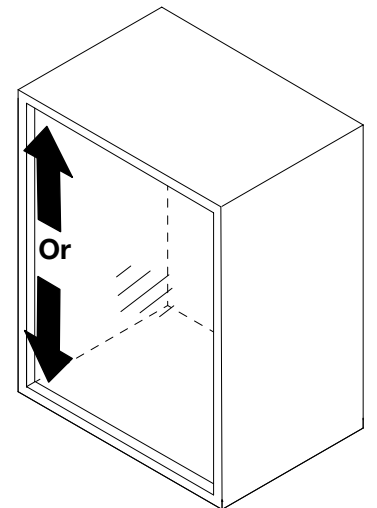


2b

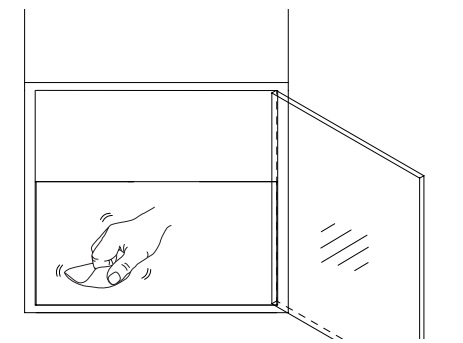
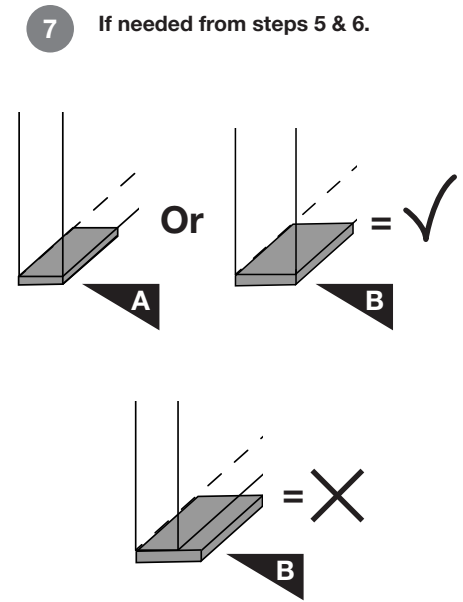
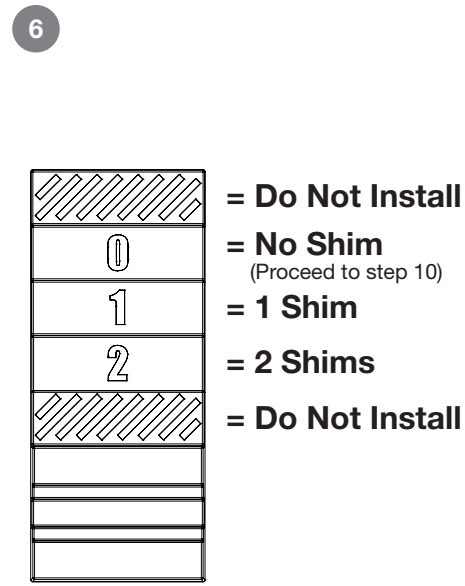
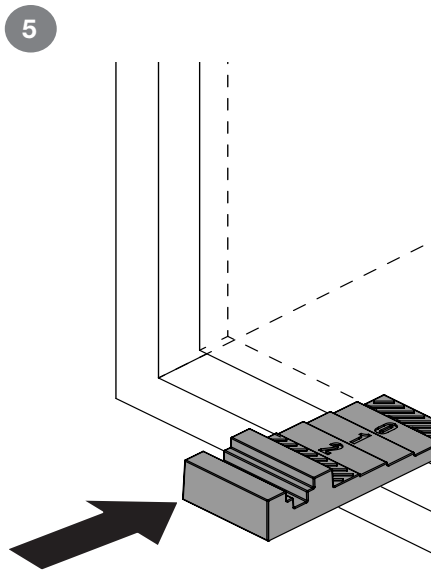
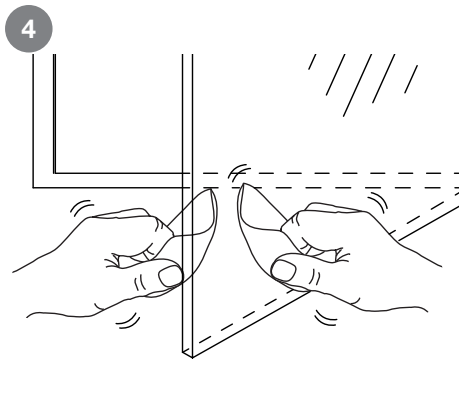


3

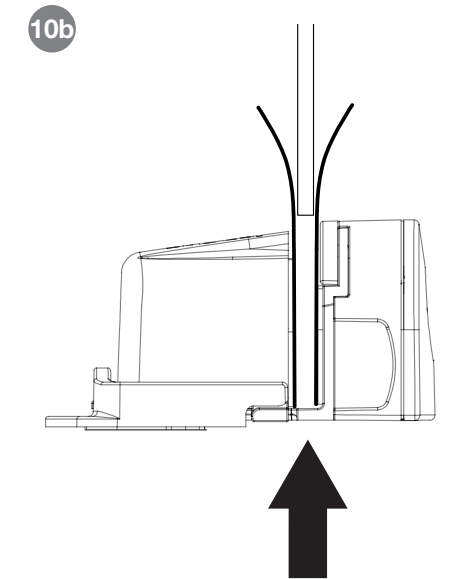
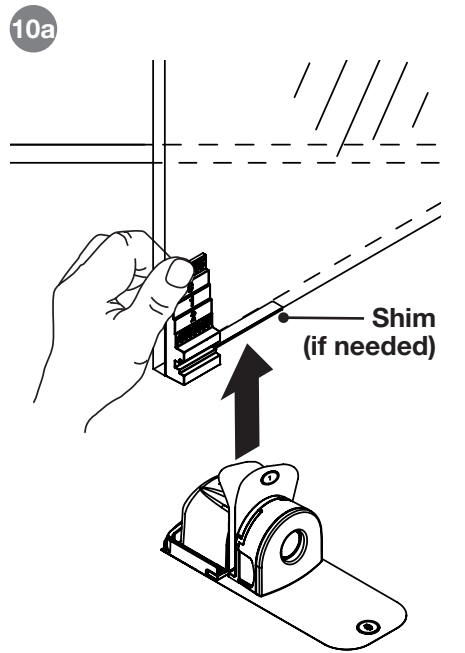
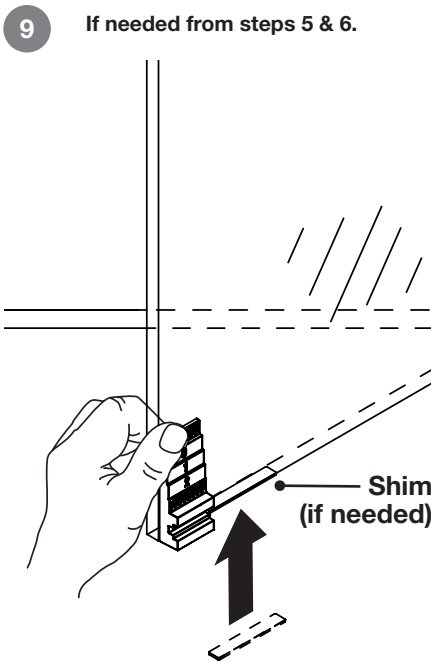
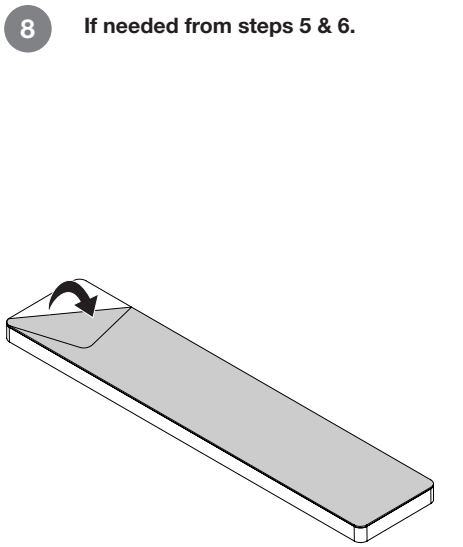
If mounting the L440 to a glass shelf, please see the instructions for the glass mount strike plate (PL920-2).



**CAUTION:** If the L440 will be installed on a double door fixture please see the instruction sheet for the door brace (PL920-01).

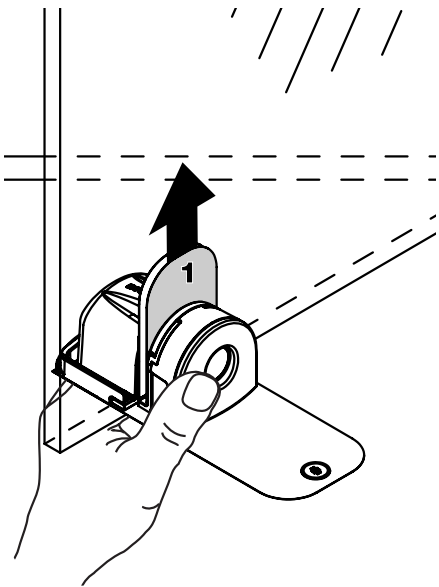


**CAUTION:** Be sure that the shim is not wider than the thickness of the glass door.



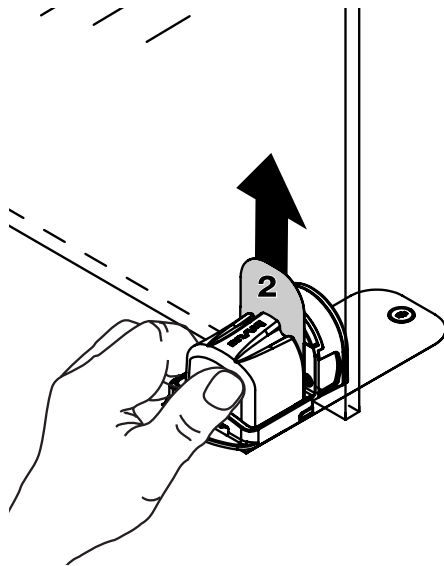
**CAUTION:** Be sure that the glass goes between the 2 adhesive liners on the lock housing and that the lock is pressed against the bottom edge of the glass or shim (if needed).

11 Remove release liner #1



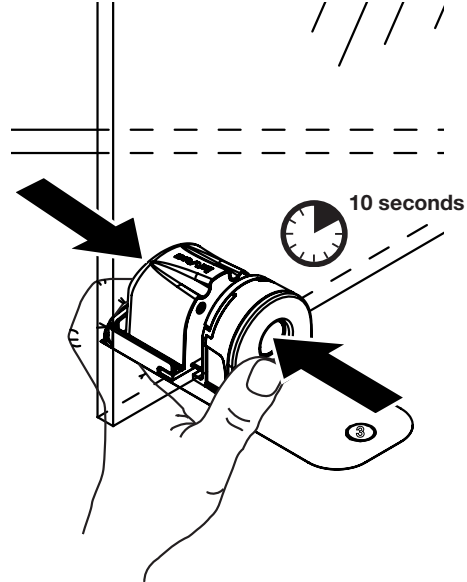
Note: Be sure that the lock housing is pressed firmly against the glass.

12 Remove release liner #2

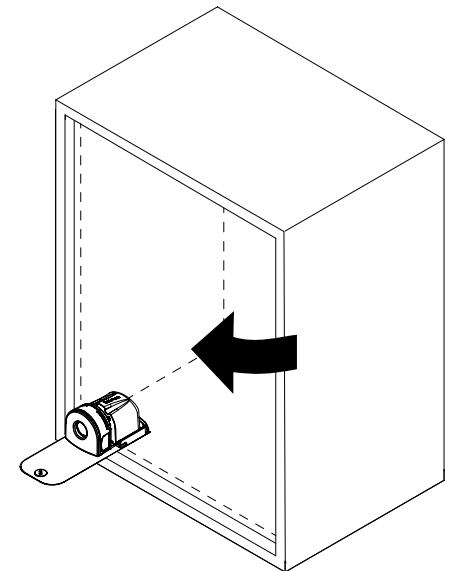


Note: Be sure that the lock housing is pressed firmly against the glass.

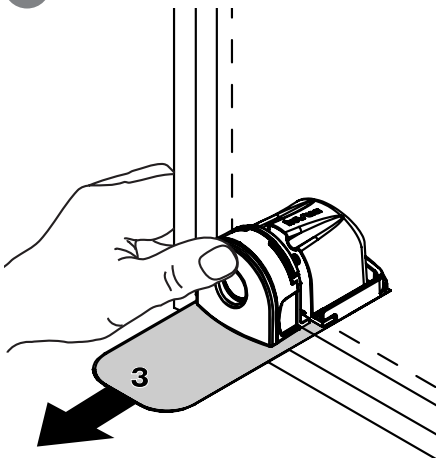
13



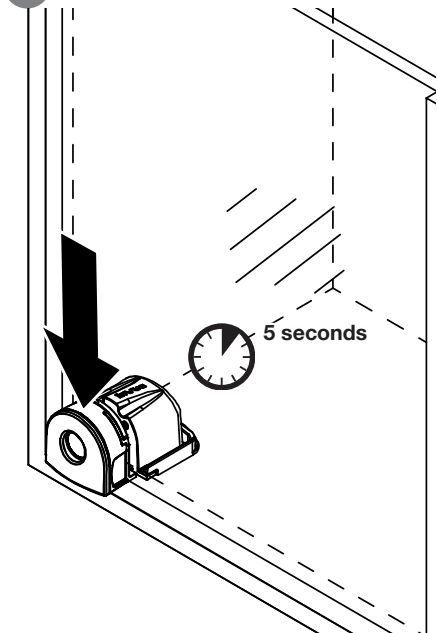
14a



14b Remove release liner #3

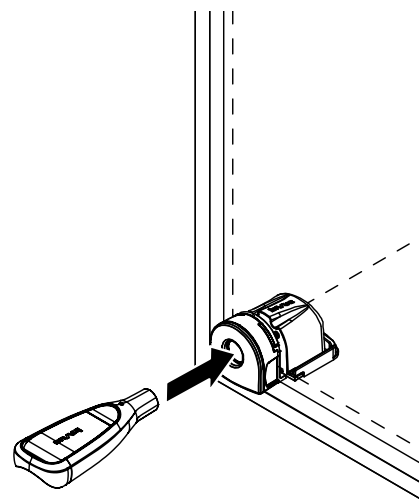


15



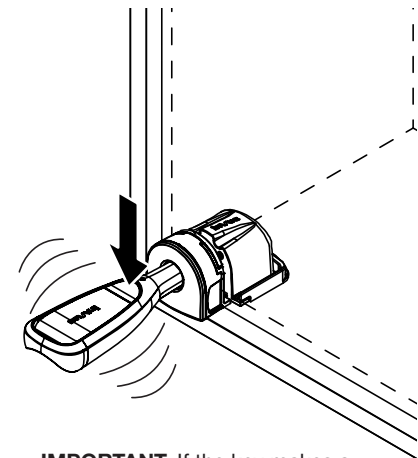
16

Place a charged and coded OneKEY against the lens on the lock.



17

Press the button on the key and hold the key against the lens until you receive a confirmation beep.

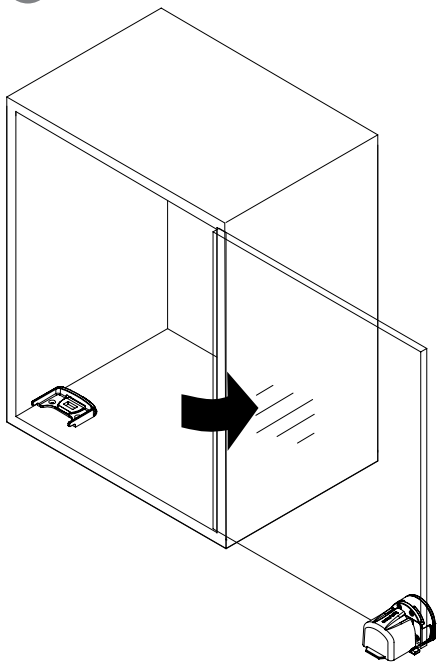


CAUTION: Hold the door in the closed position while pulling the #3 adhesive liner.

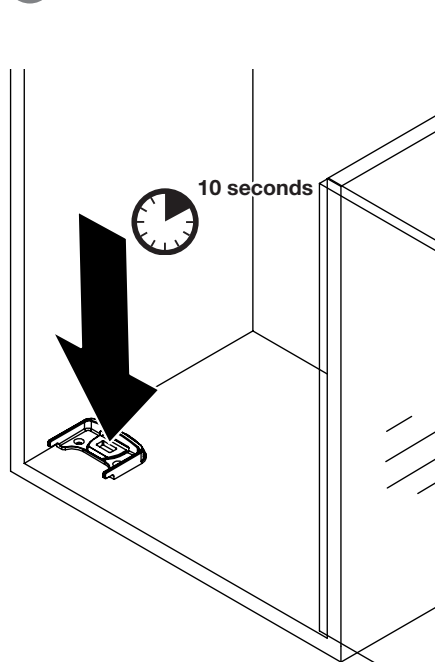


**IMPORTANT:** If the key makes a “knack knack” sound an error has occurred. Either the key was pulled away too soon or there is some sort of interference. Try the key again and wait until you receive the confirmation beep.

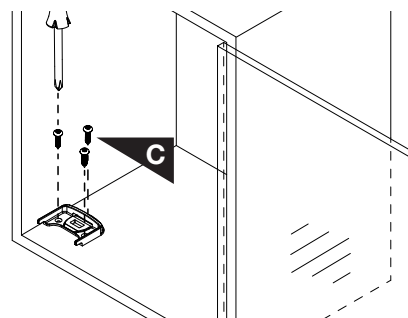
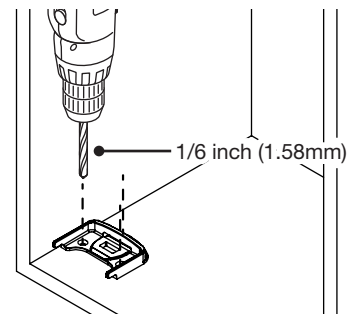
18



19

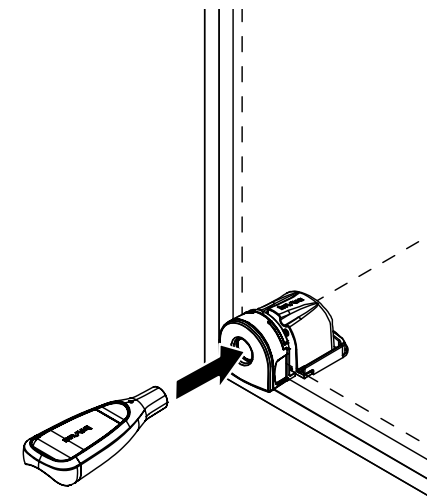


20



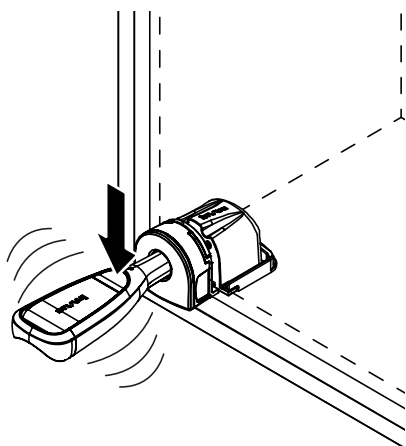
## Use Instructions:

- 1 Place a charged and coded OneKEY against the lens on the lock.

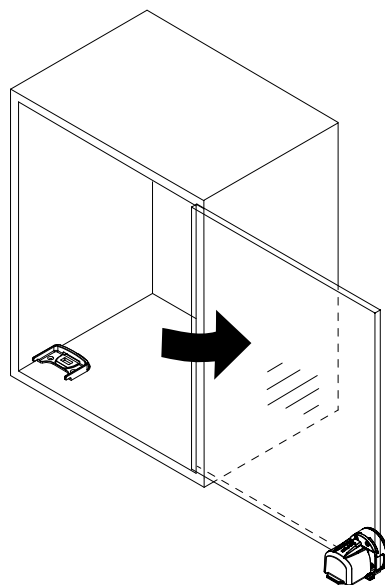


2

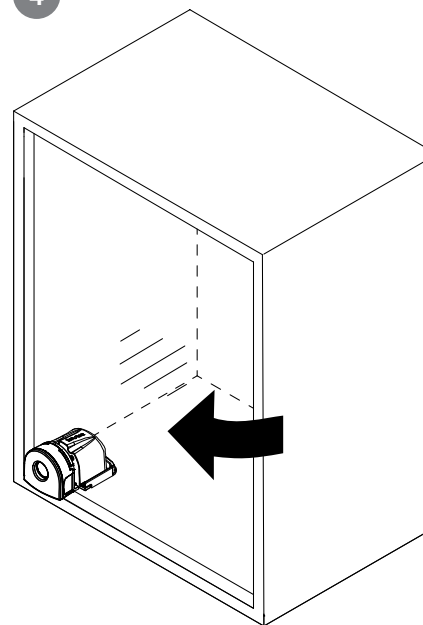
Press the button on the key and hold the key against the lens until you receive a confirmation beep.



3



4



**IMPORTANT:** If the key makes a “knack knack” sound an error has occurred. Either the key was pulled away too soon or there is some sort of interference. Try the key again and wait until you receive the confirmation beep.

SD0449 Rev12 05/09/2022

# inVUE

[www.invue.com](http://www.invue.com)

NA / LATAM // 704.752.6513 • 888.55.INVUE

EMEA // +31.23.8900150

APAC // +852.3127.6811

© 2022 InVue Security Products Inc. All rights reserved.  
InVue is a registered trademark of InVue Security Products.