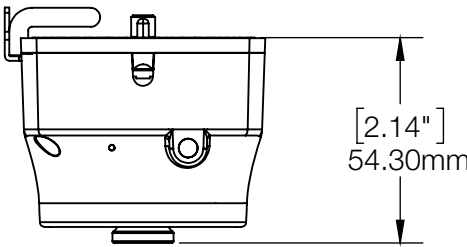
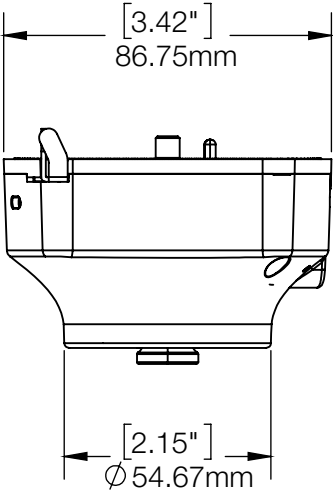
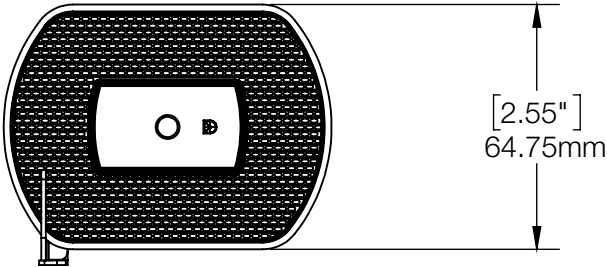


OnePOD™ Camera / Technical Specifications

SPECIFICATIONS

OnePOD - Powered Camera Sensor (DBD220-B/W)



OnePOD™ Camera / Technical Specifications

PRODUCT ORDERING

| ORDER CODE | DESCRIPTION | CARTON QTY. |
|------------|--------------------------------------|-------------|
| DBD220-B | OnePOD powered camera sensor - Black | 1 |
| DBD220-W | OnePOD powered camera sensor - White | |

invue.com

©2019 InVue Security Products. No endorsement of InVue products has been made by any of the manufacturers of the products shown. Product is sold pursuant to InVue's warranty which can be found at www.invue.com/warranty.

THE AMERICAS 704.752.6513 • 888.55.INVUE

EUROPE, MIDDLE EAST & AFRICA +31.23.8900150

ASIA PACIFIC +852.3127.6811



rev. 02/06/19

