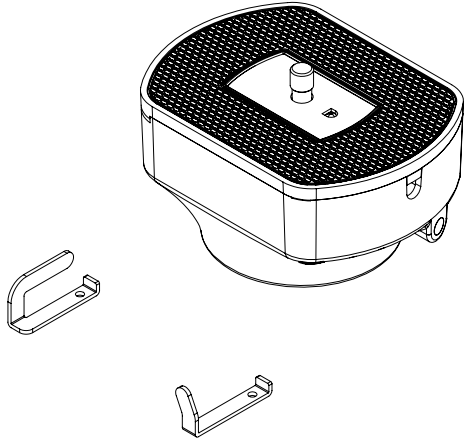
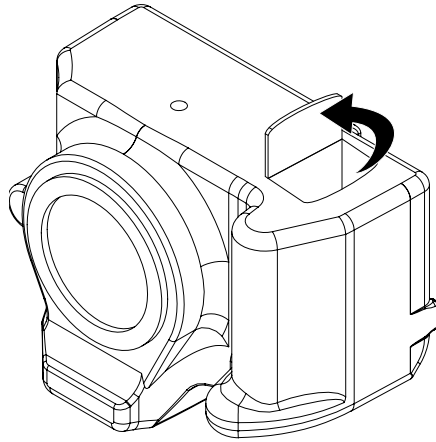


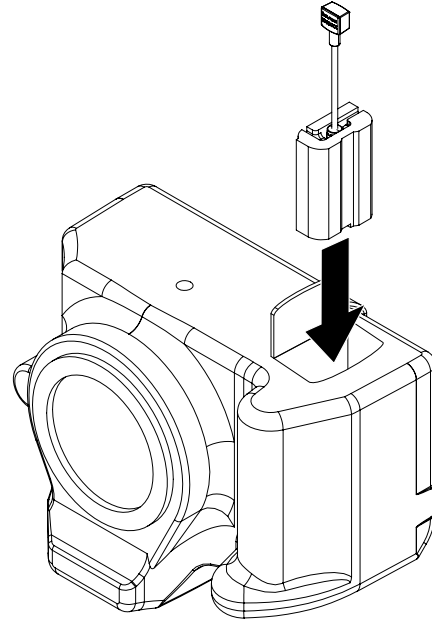
OnePOD Powered Camera Sensor DBD220-B/W



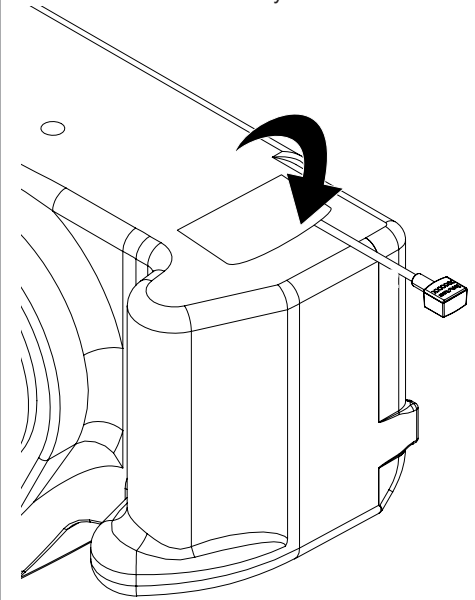
1 Open the door to the battery bay on the bottom of the camera.



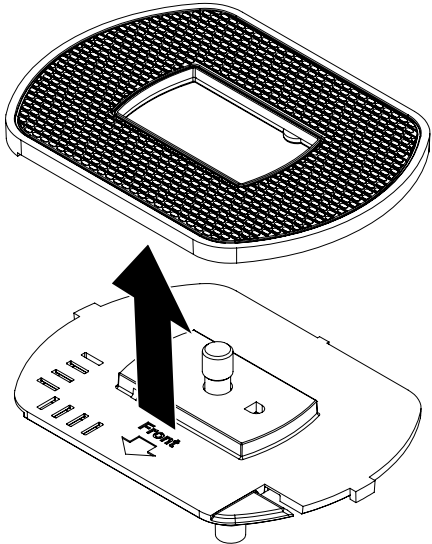
2 Insert the power adapter (the power adapter may look different depending on your camera model).



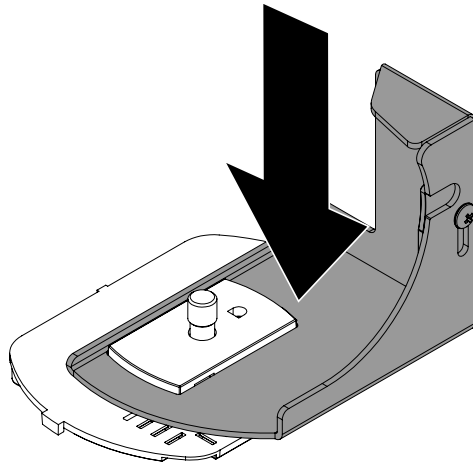
3 Route the cable out the side of the battery bay (some cameras may have a flange or trapdoor to aid this). Close the battery door.



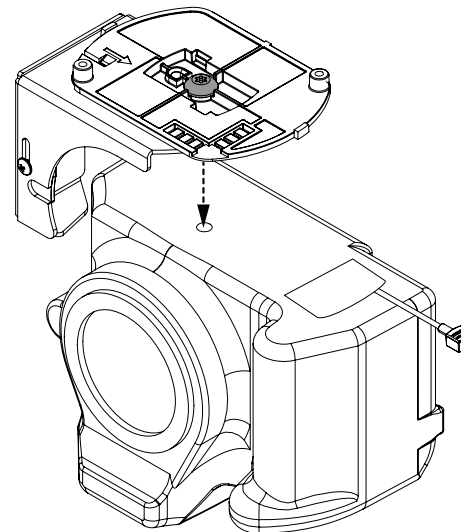
4a **If using a button blocker bracket:** Remove the rubber pad from the mounting plate.
Note: The rubber pad will not be needed for this installation.



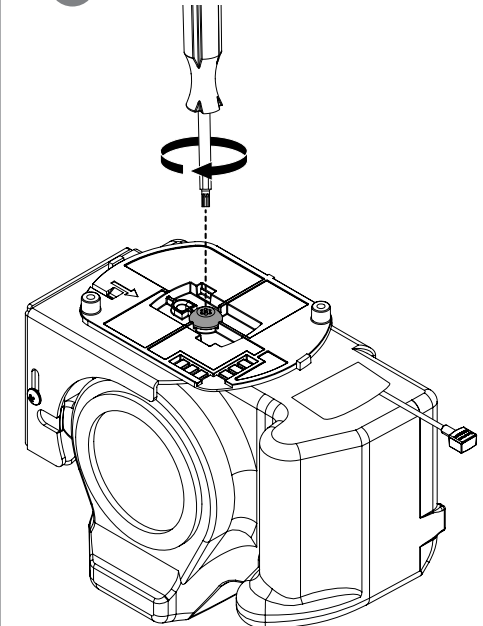
4b Place the blocker bracket onto the mounting plate.



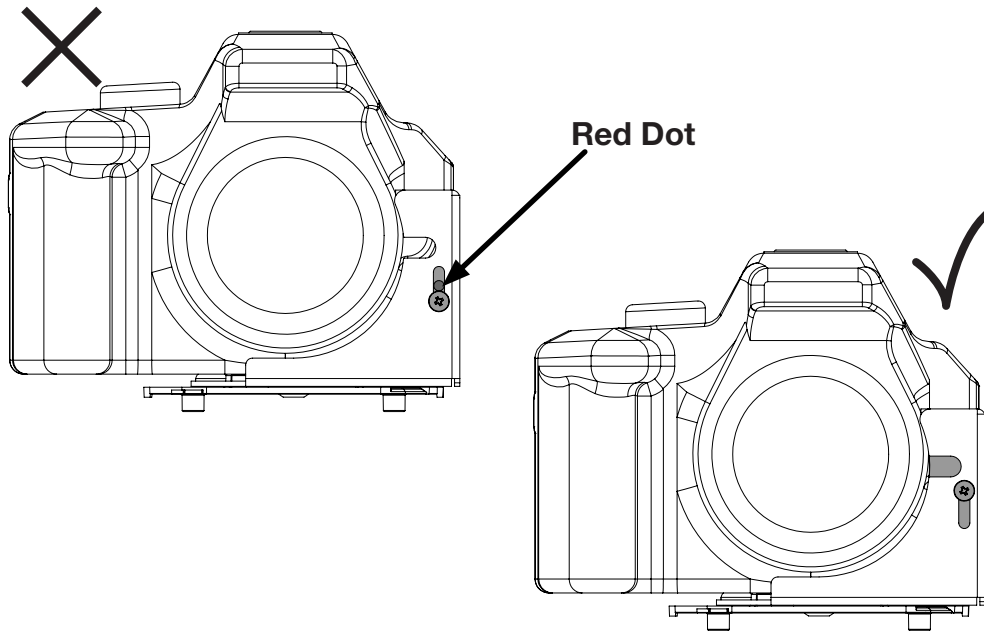
4c Place the mounting plate assembly onto the bottom of the camera. Align the screw on the plate with the hole in the bottom of the camera.



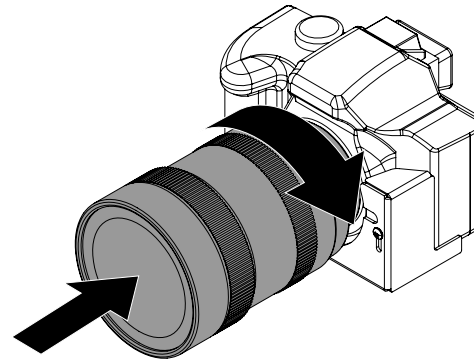
4d Tighten the screw using a TT20 bit.



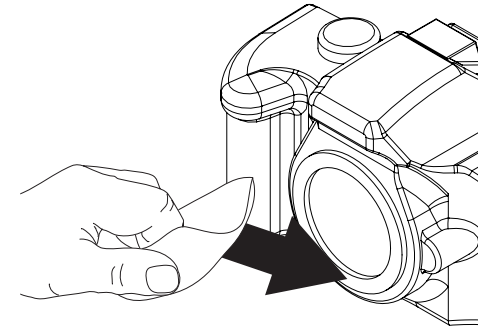
4e If present, make sure that the panel on the blocker bracket is covering the lens release button on the camera. If you can see the red dot, the panel is not in position. Insert a screwdriver into the screw, slide the panel into position and tighten the screw to secure the panel.



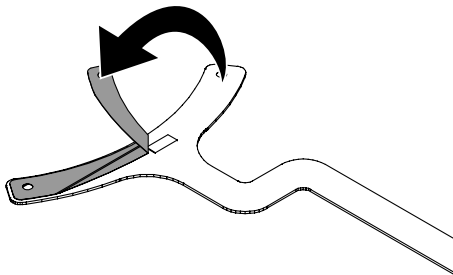
4f Attach the camera lens that is to be displayed.



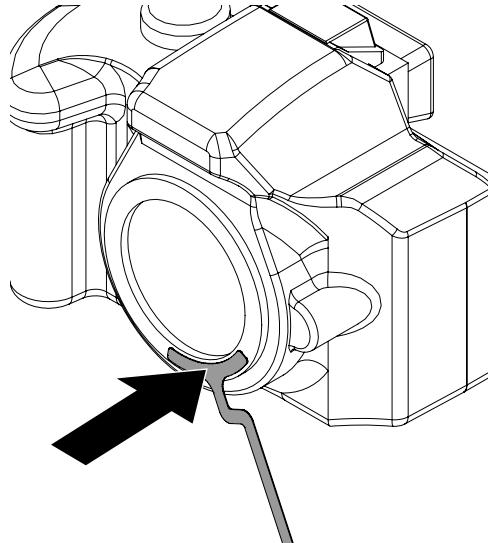
5a **If using a hidden lens flex sensor:** Use the provided alcohol wipe to clean the rim where the lens will dock. Allow it to dry completely.



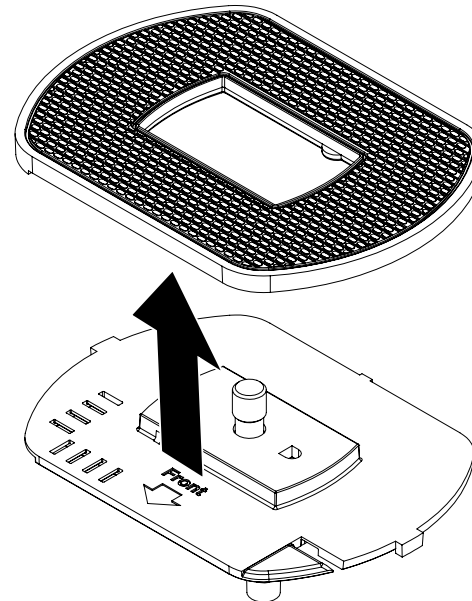
5b Peel the clear film from the flex sensor.



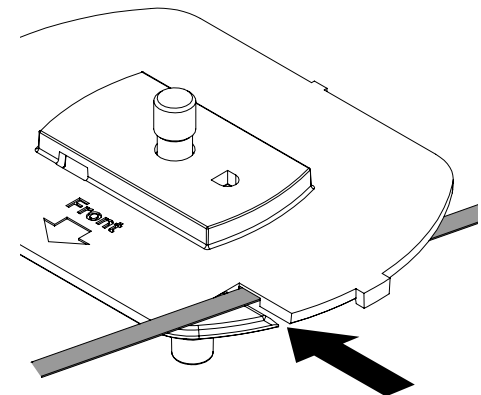
5c Place the flex sensor so that it will angle away from the side of the camera with the battery. Apply pressure for at least 10 seconds. **Note:** Do not place the sensor over the lens release button(s).



5d Remove the rubber pad from the mounting plate.

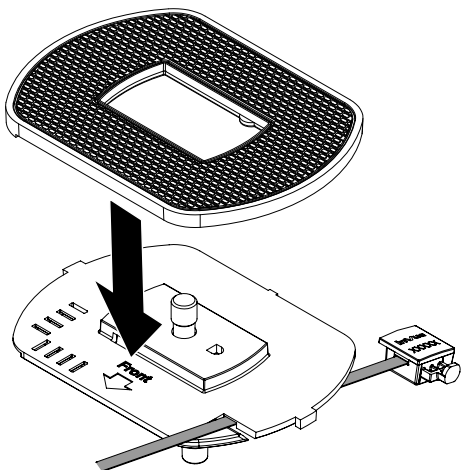


5e Route the flex sensor through the slot in the mounting plate.



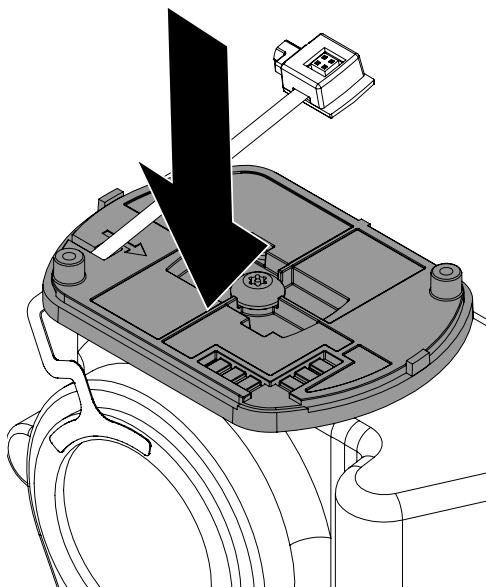
5f

Place the rubber pad back onto the mounting plate.
Note: Make sure that the alignment features (arrows with the word "front") on both the mounting plate and rubber pad are facing the same direction.



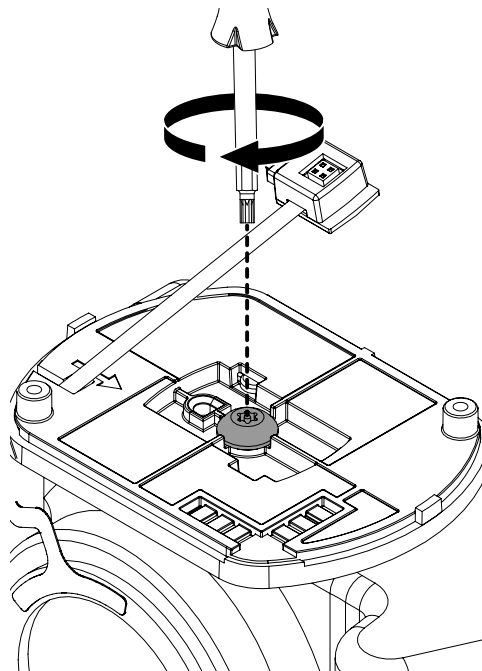
5g

Place the mounting plate assembly onto the bottom of the camera. Align the screw on the plate with the hole in the bottom of the camera.



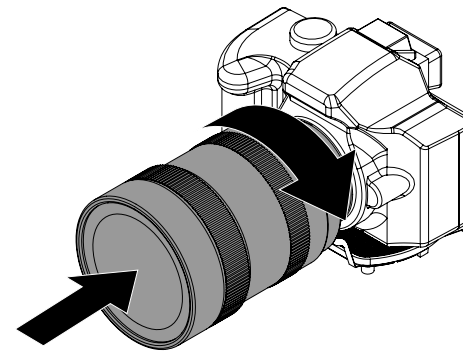
5h

Tighten the screw using a TT20 bit.



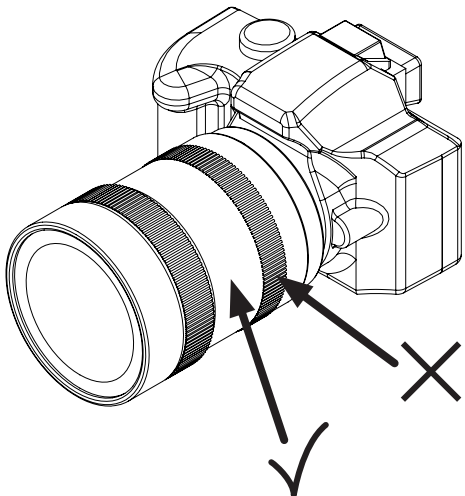
5i

Attach the camera lens that is to be displayed.



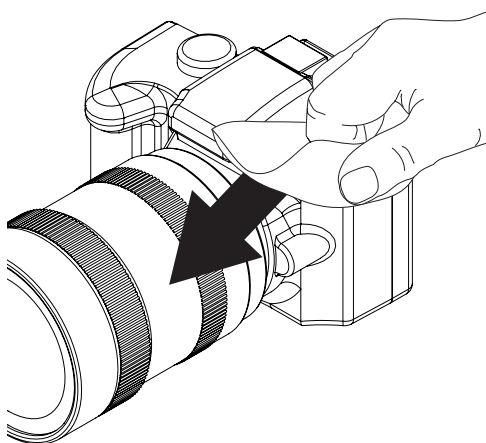
6a

If using a secondary adhesive sensor: Determine where the sensor will be placed on the camera lens. Ideally, this will be a place on the lens that is smooth and will not move too far when the lens is twisted.



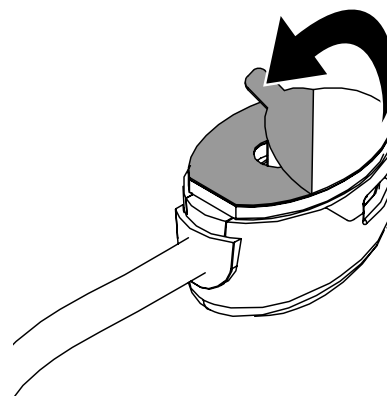
6b

Use the provided alcohol wipe to clean the lens where the sensor will be placed. Allow it to dry completely.



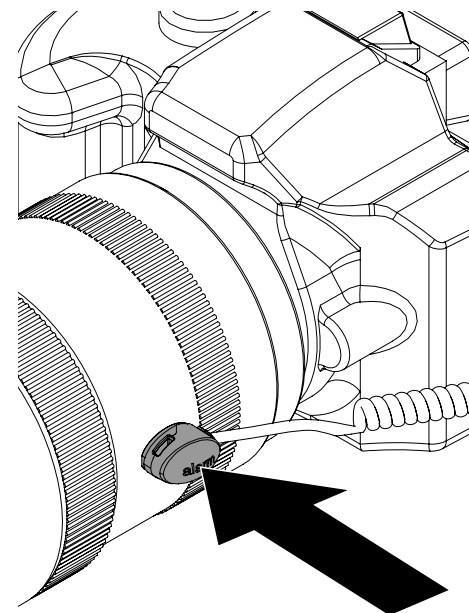
6c

Peel the clear film from the adhesive on the bottom of the sensor.

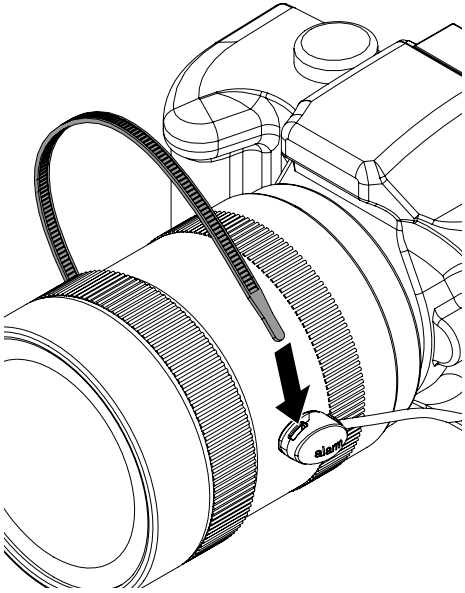


6d

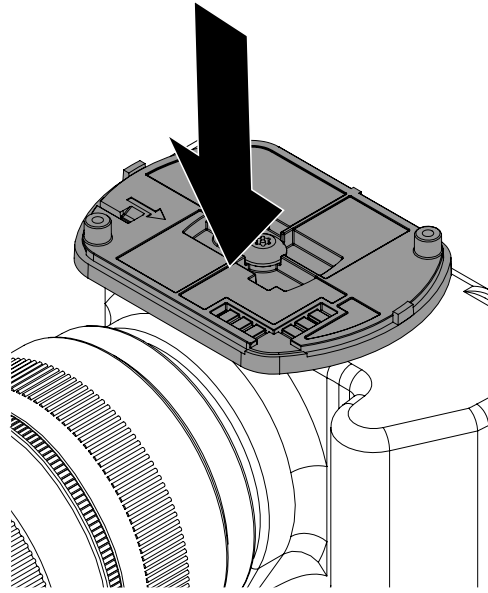
Place the sensor against the lens and apply pressure for at least 10 seconds.



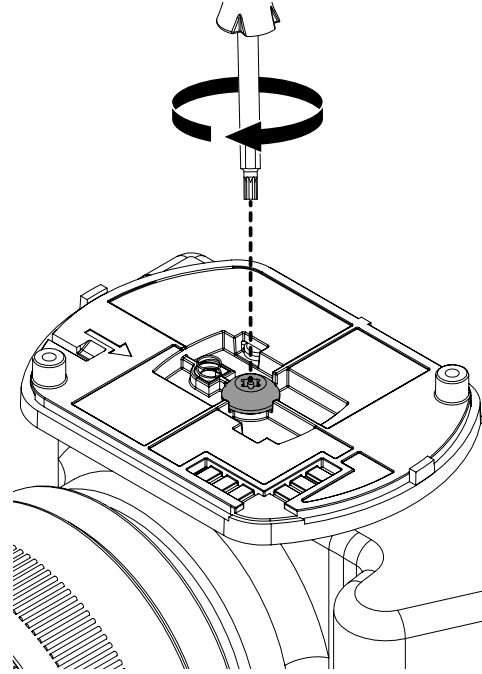
6e Insert the provided zip tie through the hole in the sensor. Pull the zip tie tight and trim any excess.



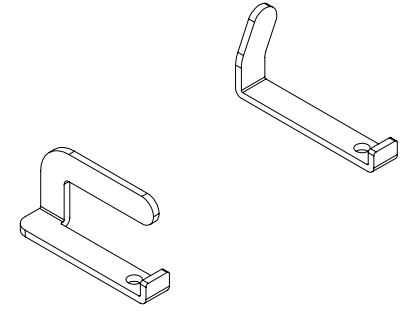
6f Place the mounting plate assembly onto the bottom of the camera. Align the screw on the plate with the hole in the bottom of the camera.



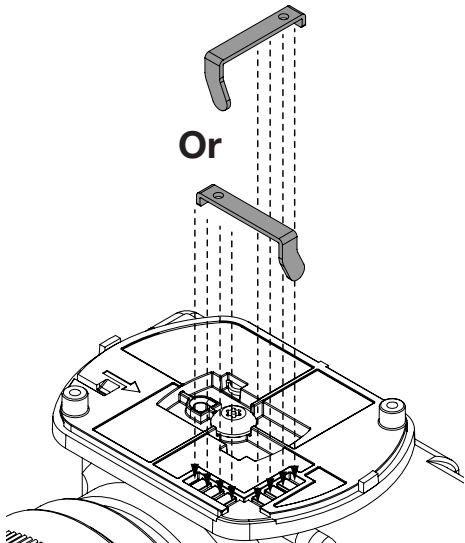
6g Tighten the screw using a TT20 bit.



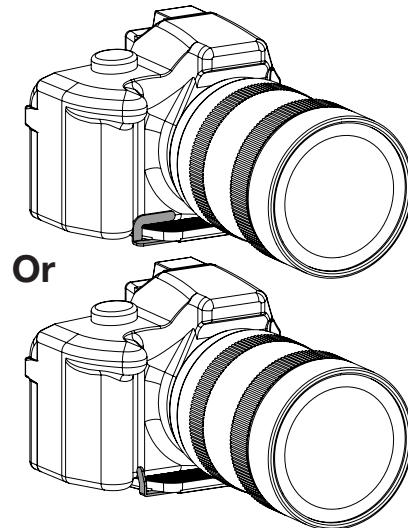
7a **Optional - If NOT using a button blocker bracket:** To prevent the camera from being rotated on the sensor, 2 anti-rotation brackets are provided.



7b Insert the anti-rotation bracket, whichever best matches the shape of the camera, into the bottom of mounting plate.
Note: Orientation and position will depend on camera model and shape.

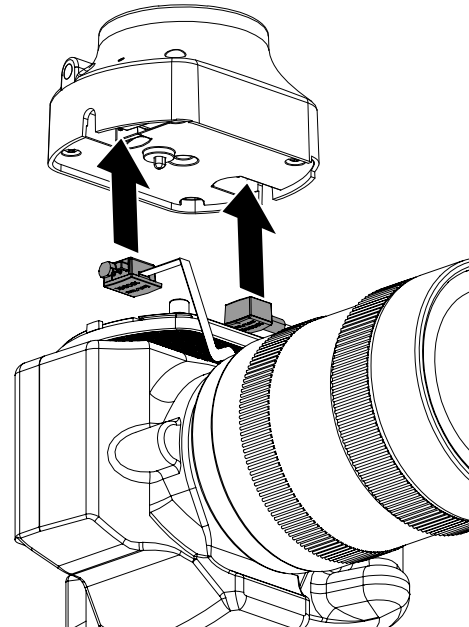


7c For the best experience, make sure that the anti-rotation bracket holds the camera in place as much as possible.

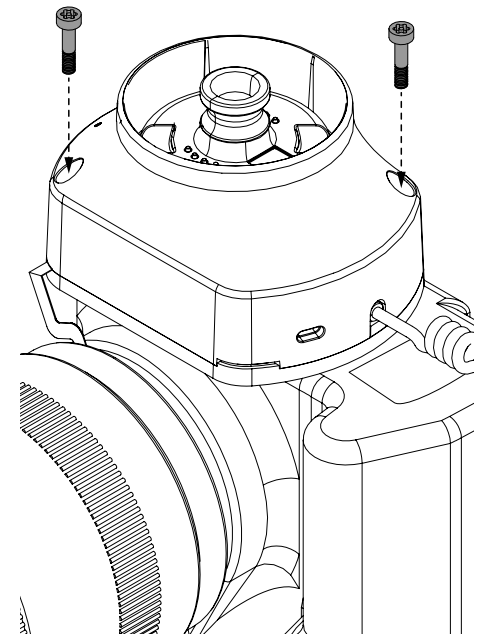


Note: More options are possible than what is shown here. Position, orientation and the bracket used will depend on the camera being displayed


8 Plug the power connector and lens sensor (if used) into the other half of the sensor housing.

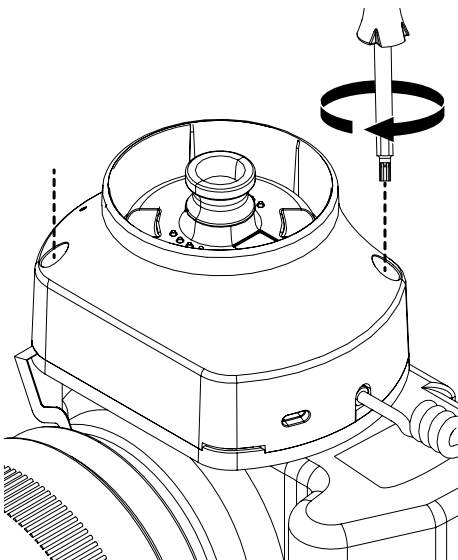


9 Insert the 2 screws into the bottom of the sensor housing.

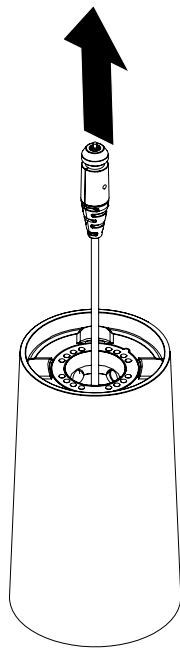


- 10 Tighten the 2 screws with the TT20 bit.

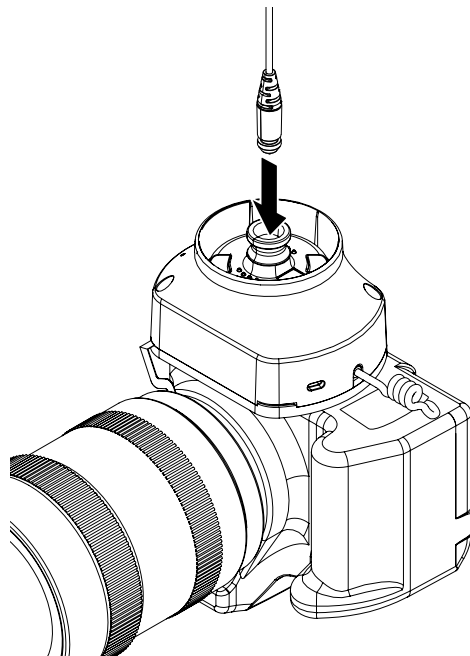
 **Note:** Do NOT overtighten, as damage to the sensor could occur.



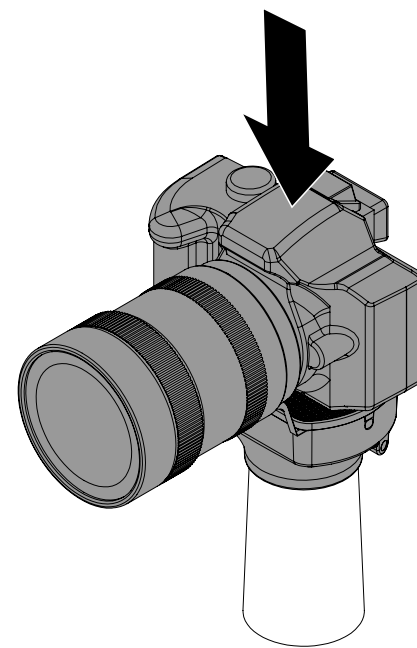
- 11 Pull the sensor cable from the previously installed OnePOD stand.



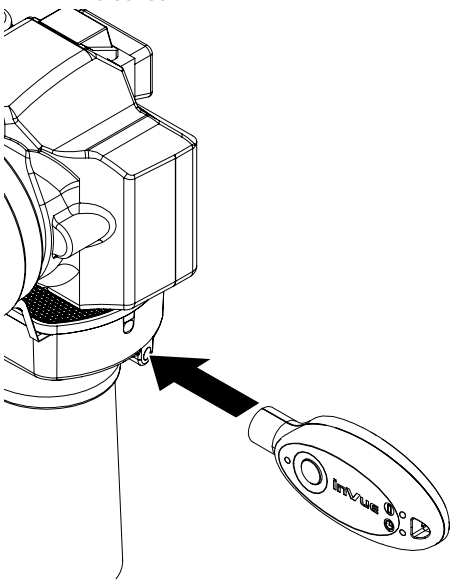
- 12 Plug the sensor cable into the bottom of the camera sensor.



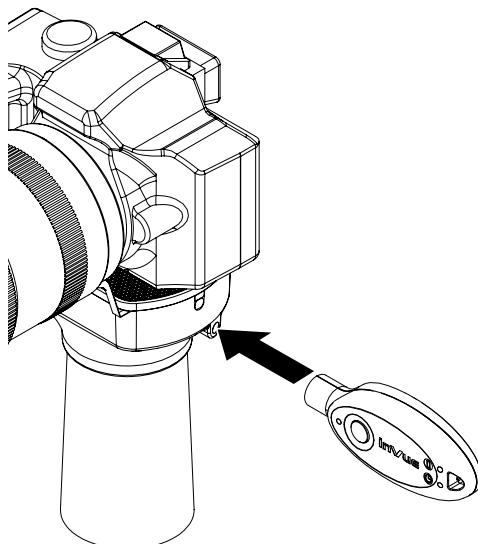
- 13 Place the camera and sensor onto the OnePOD stand.



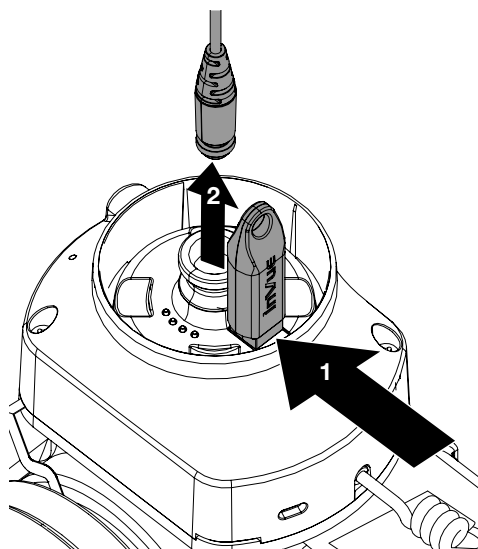
- 14 Place a charged and coded OneKEY against the lens on the side of the camera sensor. Press the button on the key to transfer the store's code to the sensor.



- 15 **Nightly Removal:** Place a charged and coded OneKEY against the lens on the side of the camera sensor. Press the button on the key to deactivate the sensor.



- 16 Remove the sensor and device from the stand. Place the magnet key (DBG400 or DBG406) into the depression on the sensor and push it inward to release the sensor cable. Pull the cable free.



SD0631 Rev1 01/07/19

inVUE

www.invue.com

NA / LATAM // 704.752.6513 • 888.55.INVUE

EMEA // +31.23.8900150

APAC // +852.3127.6811

© 2019 InVue Security Products Inc. All rights reserved.
InVue is a registered trademark of InVue Security Products.