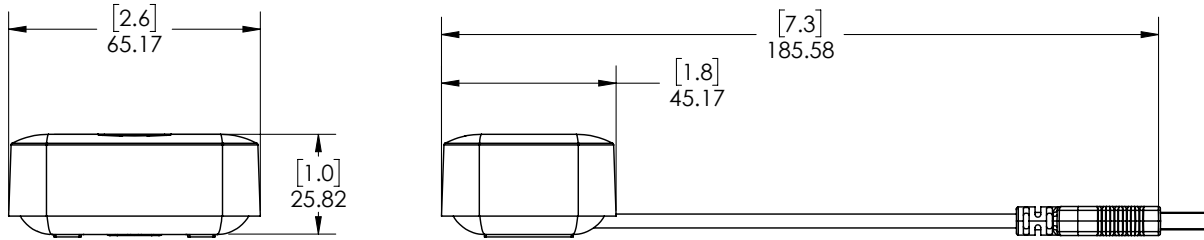


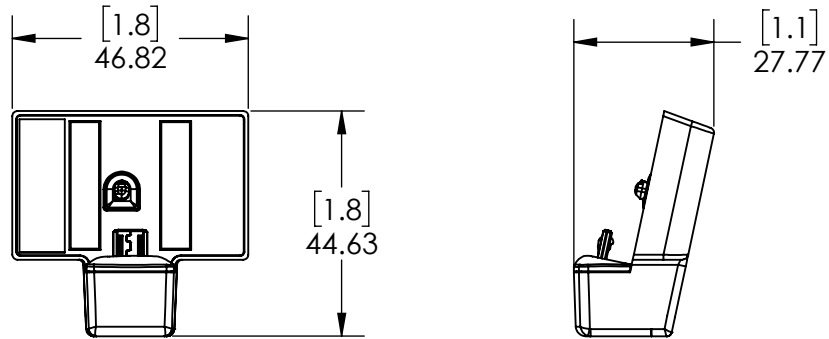
S3100V / Technical Specifications

SPECIFICATIONS

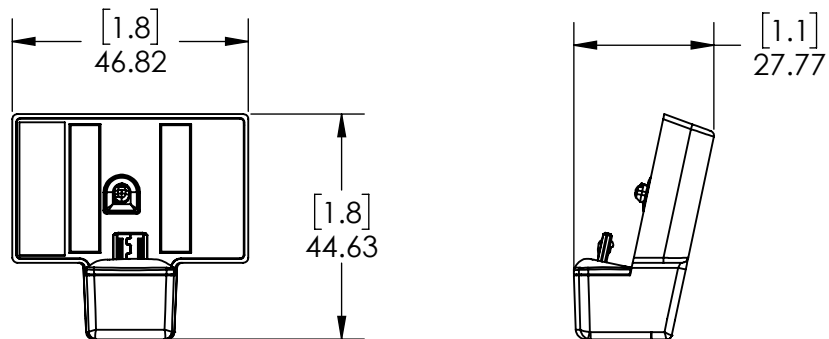
LIVE Vertical Wireless Stand (DCD300-B / DCD300-W):



Vertical Wireless Sensor Micro-USB (DCD301):

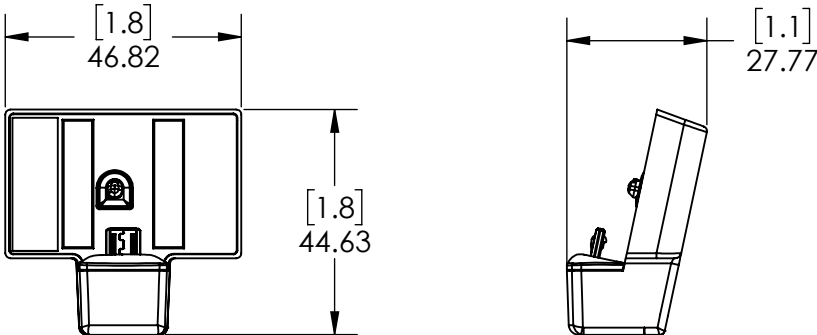


Vertical Wireless Micro-USB Sensor - Reverse (DCD302):

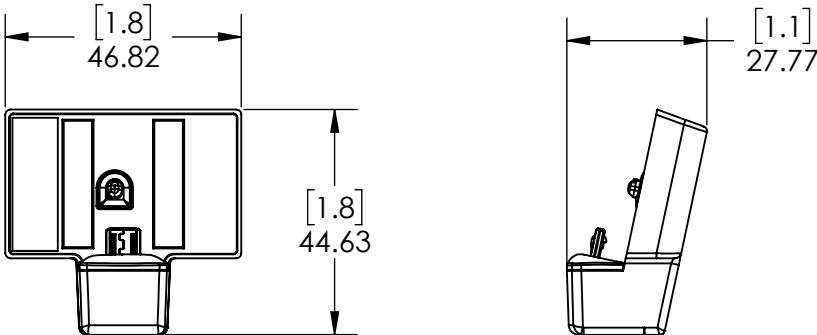


SPECIFICATIONS

Vertical Wireless USB-C Sensor (DCD303):



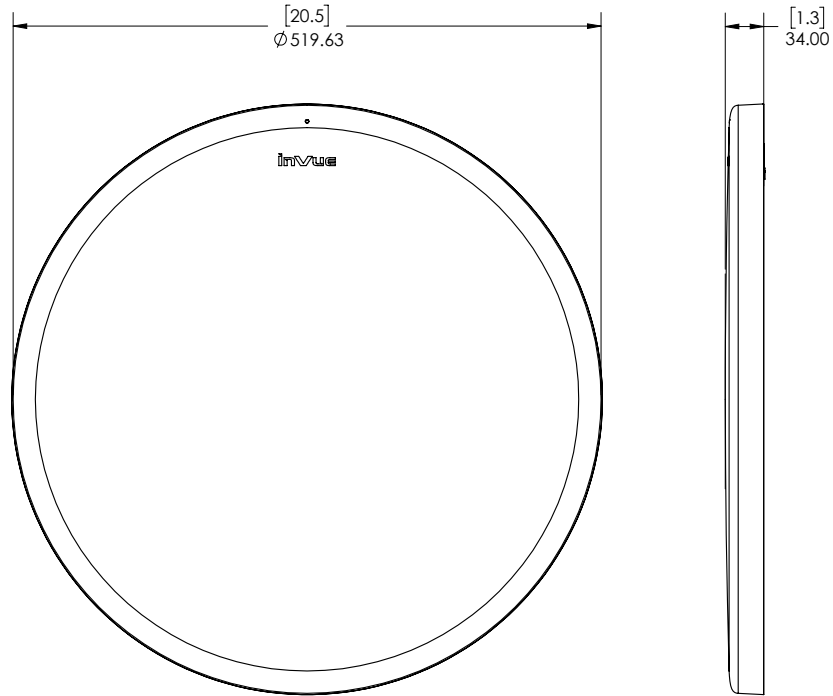
Vertical Wireless Lightning Sensor (DCD304):



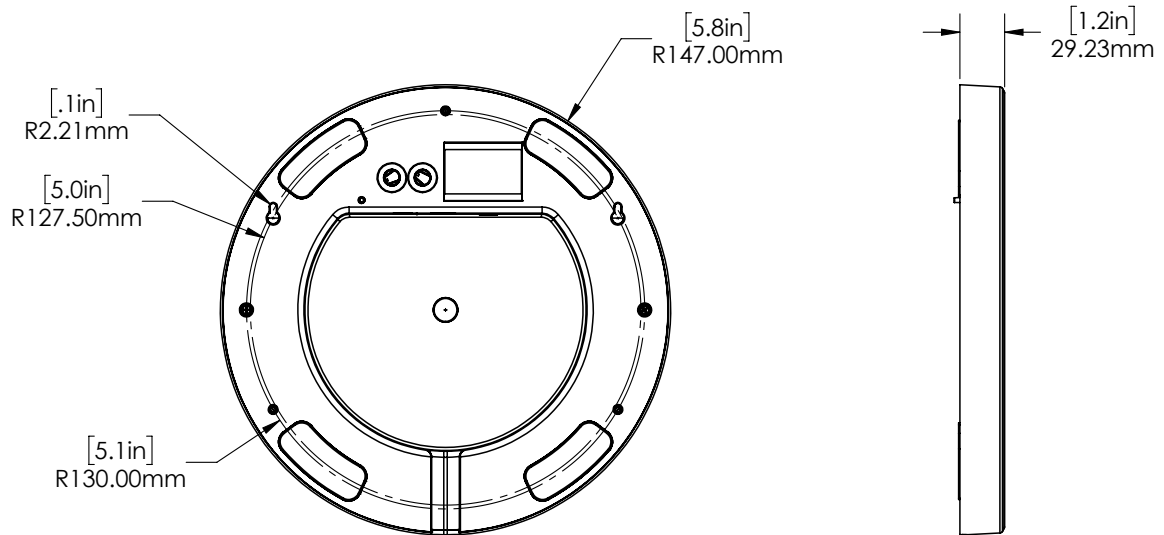
S3100V / Technical Specifications

SPECIFICATIONS

Wireless Exclusion Zone Manager - 52 cm diameter (DBD701):



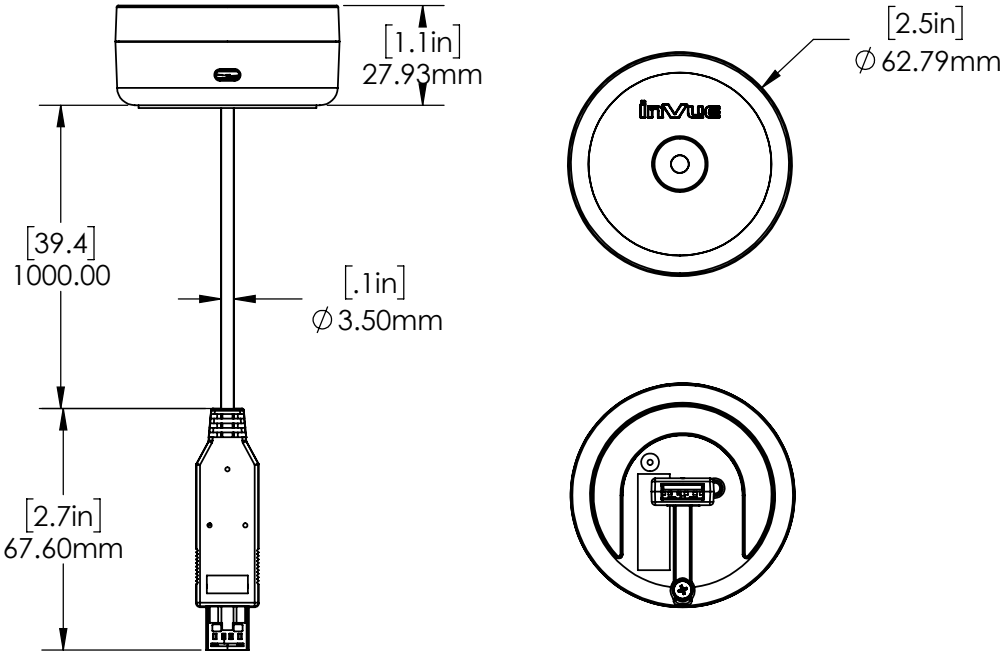
Wireless Zone Manager - 30 cm diameter (DBD702):



S3100V / Technical Specifications

SPECIFICATIONS

LIVE Alarm Node (DLD300):



S3100V / Technical Specifications

S3100V STAND

ORDER CODE	DESCRIPTION	NOTES
DCD300-B	Vertical Wireless Stand	Black
DCD300-W	Vertical Wireless Stand	White

S3100V SENSORS

ORDER CODE	DESCRIPTION	NOTES
DCD301W-00	Vertical Wireless Sensor Micro-USB (902MHz-928MHz)	White
DCD301W-01	Vertical Wireless Sensor Micro-USB (855MHz-881MHz)	White
DCD301W-06	Vertical Wireless Sensor Micro-USB (923 MHz)	White
DCD302W-00	Vertical Wireless Micro-USB Sensor (Reverse) (902MHz-928MHz)	White
DCD302W-01	Vertical Wireless Micro-USB Sensor (Reverse) (855MHz-881MHz)	White
DCD302W-06	Vertical Wireless Micro-USB Sensor (Reverse) (923 MHz)	White
DCD303W-00	Vertical Wireless USB-C Sensor (202MHz-928MHz)	White
DCD303W-01	Vertical Wireless USB-C Sensor (855MHz-881MHz)	White
DCD303W-06	Vertical Wireless USB-C Sensor (923 MHz)	White
DCD304W-00	Vertical Wireless Lightning Sensor (902Mhz-928Mhz)	White
DCD304W-01	Vertical Wireless Lightning Sensor (855MHz-881MHz)	White
DCD304W-06	Vertical Wireless Lightning Sensor (923 MHz)	White



S3100V / Technical Specifications

ZONE MANAGER

ORDER CODE	DESCRIPTION	NOTES
DBD701	Wireless Exclusion Zone Manager (52 cm diameter)	Requires YLRC & YC*
DBD702	Wireless Zone Manager (30 cm diameter)	Inclusion/Exclusion Requires YLRC & YC*
YLR52	5.3VDC/6.5A Power Supply	
YC3	C14 AC Cable DIB/PIB - US	
YC6	C14 AC Cable DIB/PIB - EU	
YC9	C7 AC Power Cable - US	
YC10	C7 AC Power Cable - UK	
YC11	C7 AC Power Cable - EU	
YC12	C7 AC Power Cable - AU	
YC14	C7 AC Power Cable - JP	

ALARM NODE

ORDER CODE	DESCRIPTION	NOTES
DLD300-00B	LIVE Alarm Node (902 MHz -928 MHz)	Black
DLD300-00W	LIVE Alarm Node (902 MHz -928 MHz)	White
DLD300-01B	LIVE Alarm Node (855 MHz -881 MHz)	Black
DLD300-01W	LIVE Alarm Node (855 MHz -881 MHz)	White
DLD300-06B	LIVE Alarm Node (AS923 MHz)	Black
DLD300-06W	LIVE Alarm Node (AS923 MHz)	White

LIVE NETWORK

ORDER CODE	DESCRIPTION	NOTES
LI6000	LIVE Annual License Fee	Per Position

All InVue LIVE products will need the Annual License and a LoRaWAN Gateway to operate.

©2020 InVue. No endorsement of InVue products has been made by any of the manufacturers of the products shown. Product is sold pursuant to InVue's warranty which can be found at www.invue.com/warranty.

THE AMERICAS 704.752.6513 • 888.55.INVUE

EUROPE, MIDDLE EAST & AFRICA +31.23.8900150

ASIA PACIFIC +852.3127.6811

