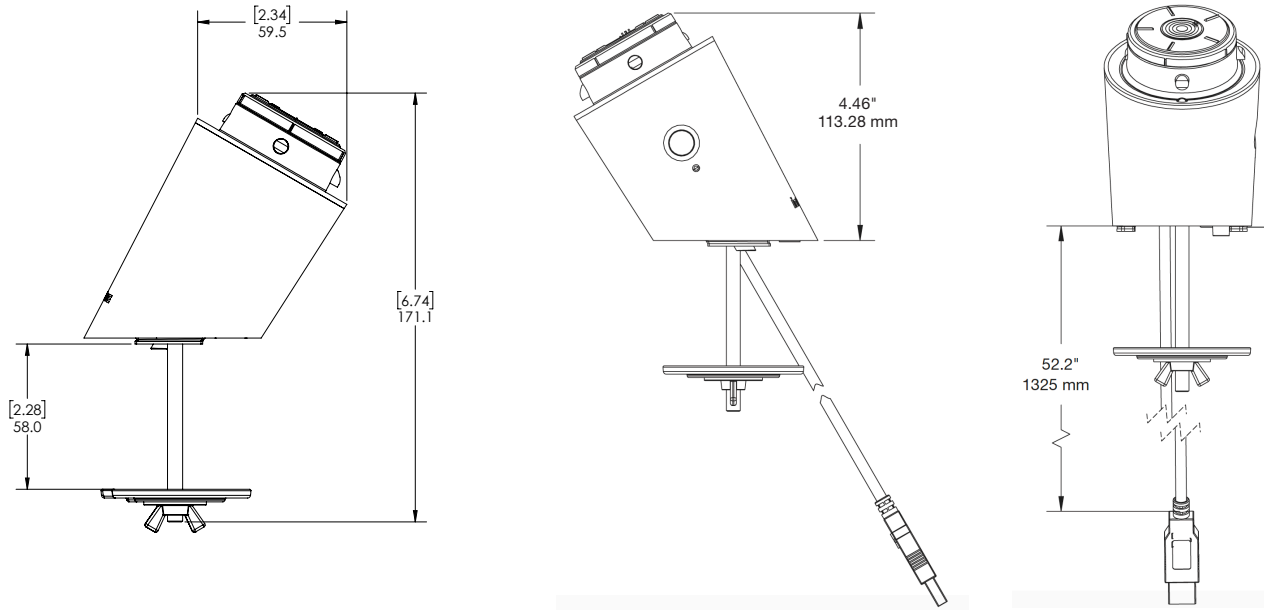


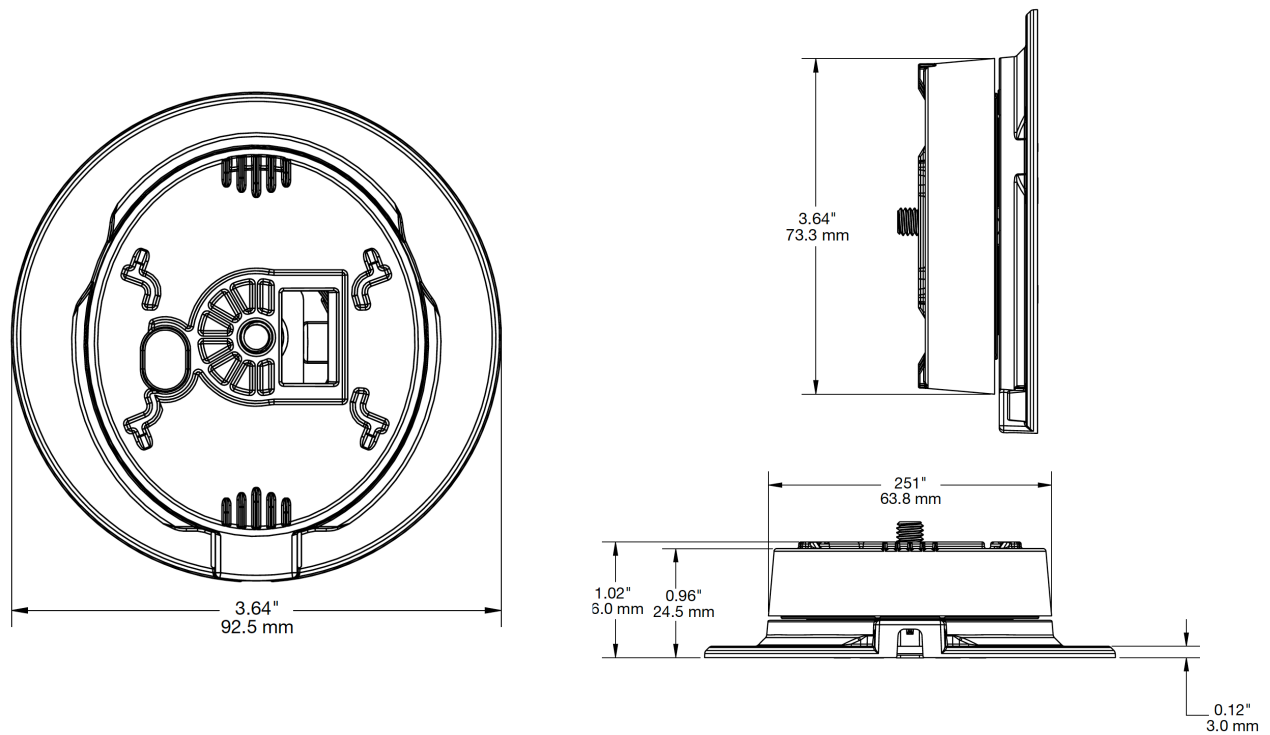
CT101 / Technical Specifications

SPECIFICATIONS

CT101 Stand, Bolt Mount Alarming/Non-Alarming (CT1011/CT1011NA):



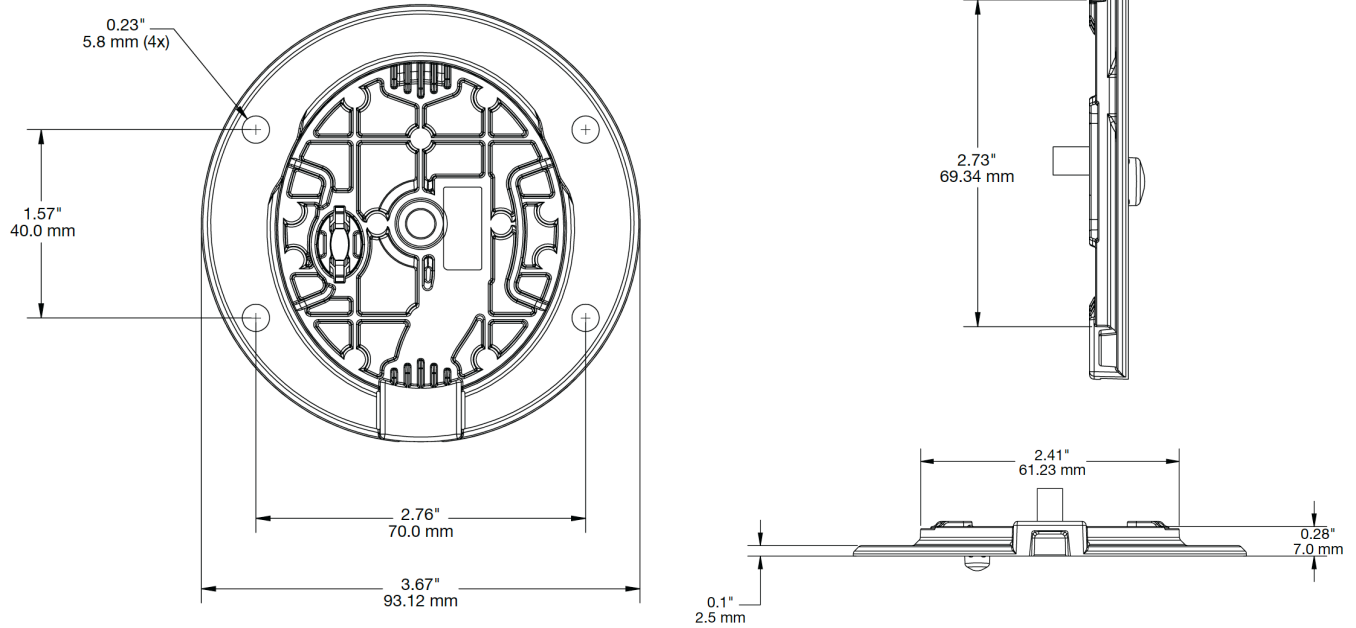
CT101 Swivel Base/Adhesive Mount (CT1012/CT1013):



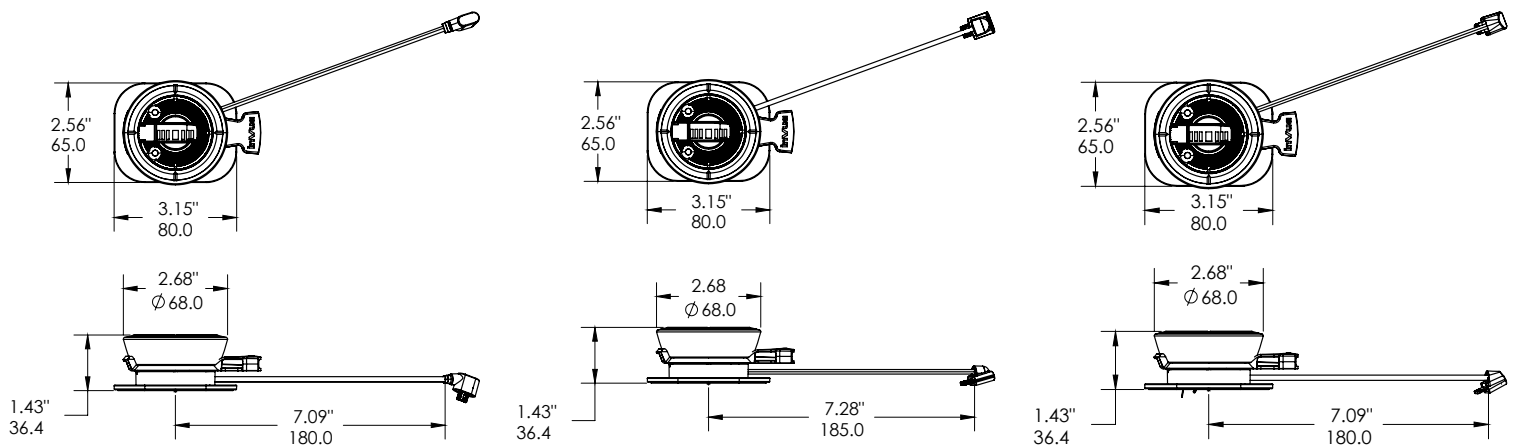
CT101 / Technical Specifications

SPECIFICATIONS

CT101 Wall Mount (CT1014):



CT101 Adhesive Puck (CT1011ADH-UUSB/ CT1011ADH-USBC/ CT1011ADH-APL):



MicroUSB

USB-C

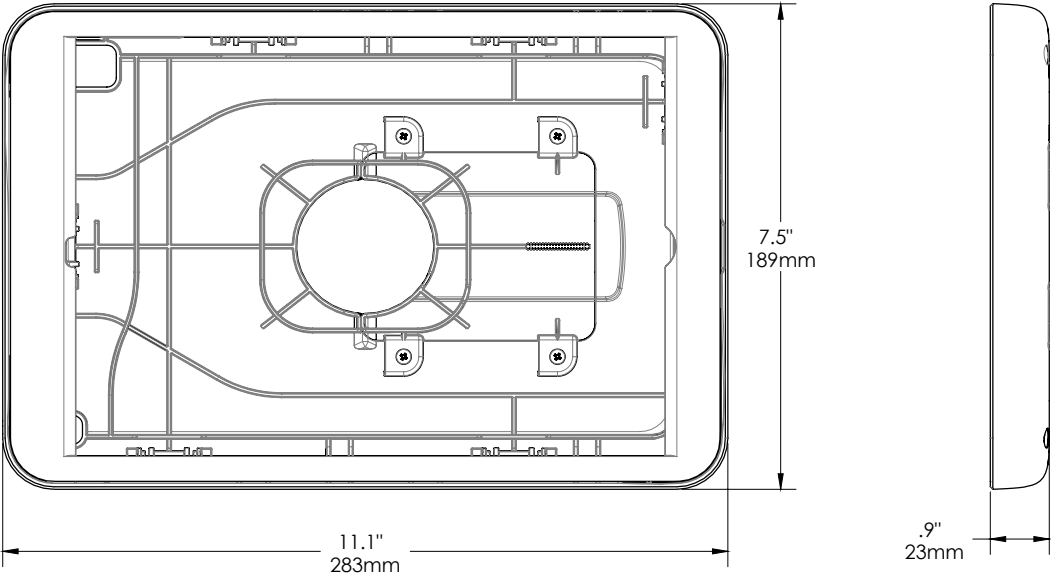
Lightning



CT101 / Technical Specifications

SPECIFICATIONS

Apple 9.7/10.2 Tablet Case (CT1015):



CT101 / Technical Specifications

CT101 STANDS

ORDER CODE	DESCRIPTION	NOTE
CT1011-B CT1011-W	Alarming stand, bolt mount	Available in white or black
CT1011NA-B CT1011NA-W	Non-alarming stand, bolt mount	Available in white or black
CT1012-B CT1012-W	Swivel base	Available in white or black
CT1013-B CT1013-W	Adhesive mount base	Available in white or black
CT1014-B CT1014-W	Wall mount plate	Available in white or black

CT101 ACCESSORIES

ORDER CODE	DESCRIPTION
CT1011ADH-UUSB	MicroUSB adhesive puck
CT1011ADH-USBC	USB-C adhesive puck
CT1011ADH-APL	Apple Lightning adhesive puck
ADH2071	Replacement adhesive for the mounting bases - 5 sets
CTBA007	Magtek iDynamo mount
CT203	Hand strap
CT307	Shoulder strap
CT312	Adhesive mount removal tool
CT204	Replacement adhesive for stands
ADH2143	Tablet Puck Replacement Adhesives, 5pk
AF6313	Multi-tool
DNTX93	Scoop Blade Removal Tool



CT101 / Technical Specifications

CT101 POWER

ORDER CODE	DESCRIPTION	
PS564	5-15V/3A 45W PD Power Supply, no line cord	
PS564-US	5-15V/3A 45W PD Power Supply, US line cord	
PS564-UK	5-15V/3A 45W PD Power Supply, UK line cord	Required for USB-C tablets
PS564-EU	5-15V/3A 45W PD Power Supply, EU line cord	
PS564AUS	5-15V/3A 45W PD Power Supply, Australia line cord	
PS564-JPN	5-15V/3A 45W PD Power Supply, Japan line cord	
PS531-US	5V, 3A (5 PIN) POWER SUPPLY - US	
PS531-UK	5V, 3A (5 PIN) POWER SUPPLY - UK	
PS531-EU	5V, 3A (5 PIN) POWER SUPPLY - EU	
PS531-AUS	5V, 3A (5 PIN) POWER SUPPLY - Australia	
PS531-IND	5V, 3A (5 PIN) POWER SUPPLY - India	
PS531-JPN	5V, 3A (5 PIN) POWER SUPPLY - Japan	
PS531-KR	5V, 3A (5 PIN) POWER SUPPLY - Korea	

CT101 CASES

ORDER CODE	DESCRIPTION	NOTE
CT1015-B		
CT1015-W	Apple 9.7/10.2 tablet case	requires adhesive puck CT1011ADH-APL

©2020 InVue Security Products. No endorsement of InVue products has been made by any of the manufacturers of the products shown. Product is sold pursuant to InVue's warranty which can be found at www.invue.com/warranty.

THE AMERICAS 704.752.6513 • 888.55.INVUE

EUROPE, MIDDLE EAST & AFRICA +31.23.8900150

ASIA PACIFIC +852.3127.6811

