

Payments made quick and easy.

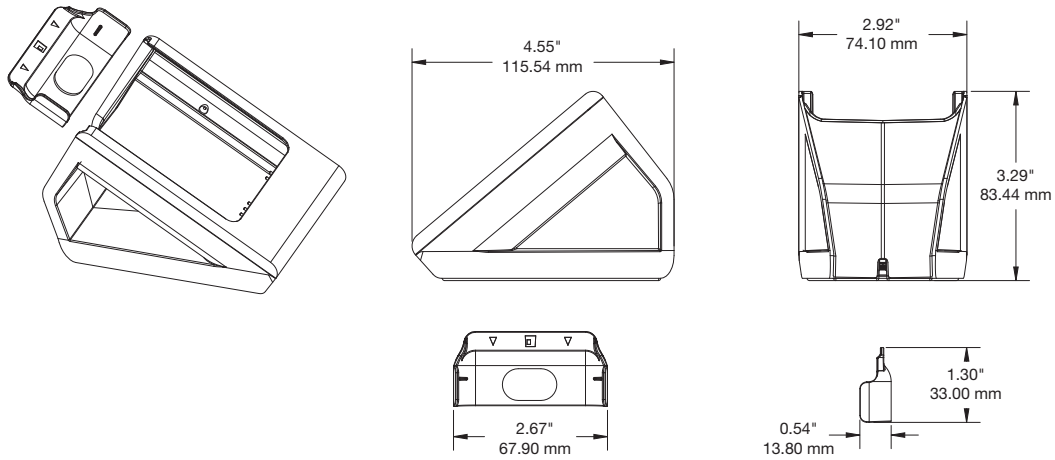


Keep your ingenico Moby/8500 charged and ready to use on the InVue custom cradle.

- › Stand alone unit weighted for ease of use
- › Cradle supports charge and data communication
- › Free standing; slip resistant base
- › Micro USB output connector; cable not included
- › Moby/8500 may be removed for mobile use
- › Chip insert card guide included

SPECIFICATIONS

Moby/8500 Cradle (CTMN004):



PRODUCT ORDERING

ORDER CODE	DESCRIPTION	NOTES
CTMN004-B	Moby/8500 Cradle	
CTMN007-B	Moby/8500 Replacement Chip Insert Guide	
PS515- AUS	5.2V/2.4A, USB-A Power Supply (Australia)	
PS515- EU	5.2V/2.4A, USB-A Power Supply (Europe)	
PS515- JPN	5.2V/2.4A, USB-A Power Supply (Japan)	
PS515- KR	5.2V/2.4A, USB-A Power Supply (Korea)	
PS515- UK	5.2V/2.4A, USB-A Power Supply (United Kingdom)	
PS515- US	5.2V/2.4A, USB-A Power Supply (United States)	

* Compatible with InVue power supply PS515. Power supply and cable not included.

invue.com

©2018 InVue Security Products. No endorsement of InVue products has been made by any of the manufacturers of the products shown. Product is sold pursuant to InVue’s warranty which can be found at www.invue.com/warranty.

THE AMERICAS 704.752.6513 • 888.55.INVUE
EUROPE, MIDDLE EAST & AFRICA +31.23.8900150
ASIA PACIFIC +852.3127.6811

