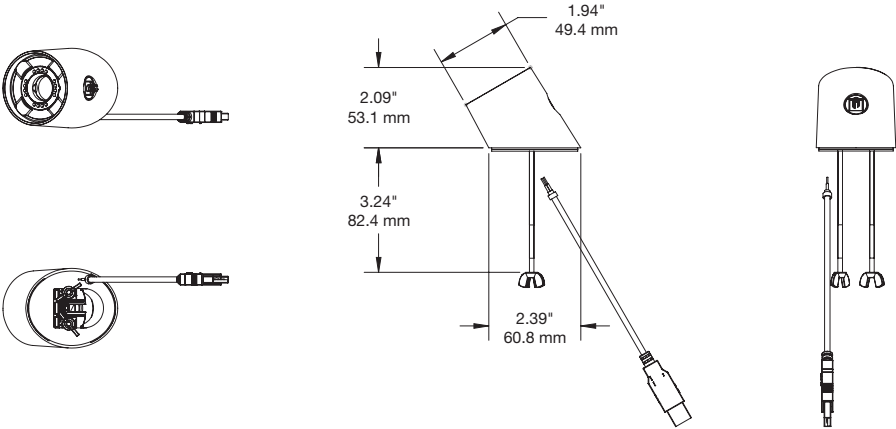
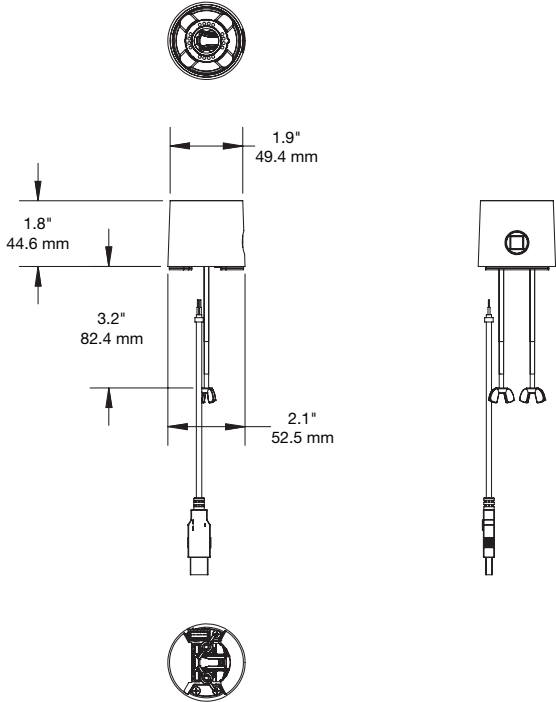


SPECIFICATIONS

One40 Angled Puck (DBD140):

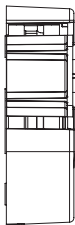
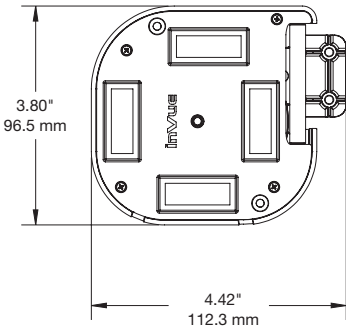
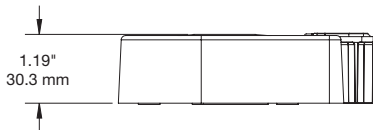


One40 Flat Puck (DBD141):



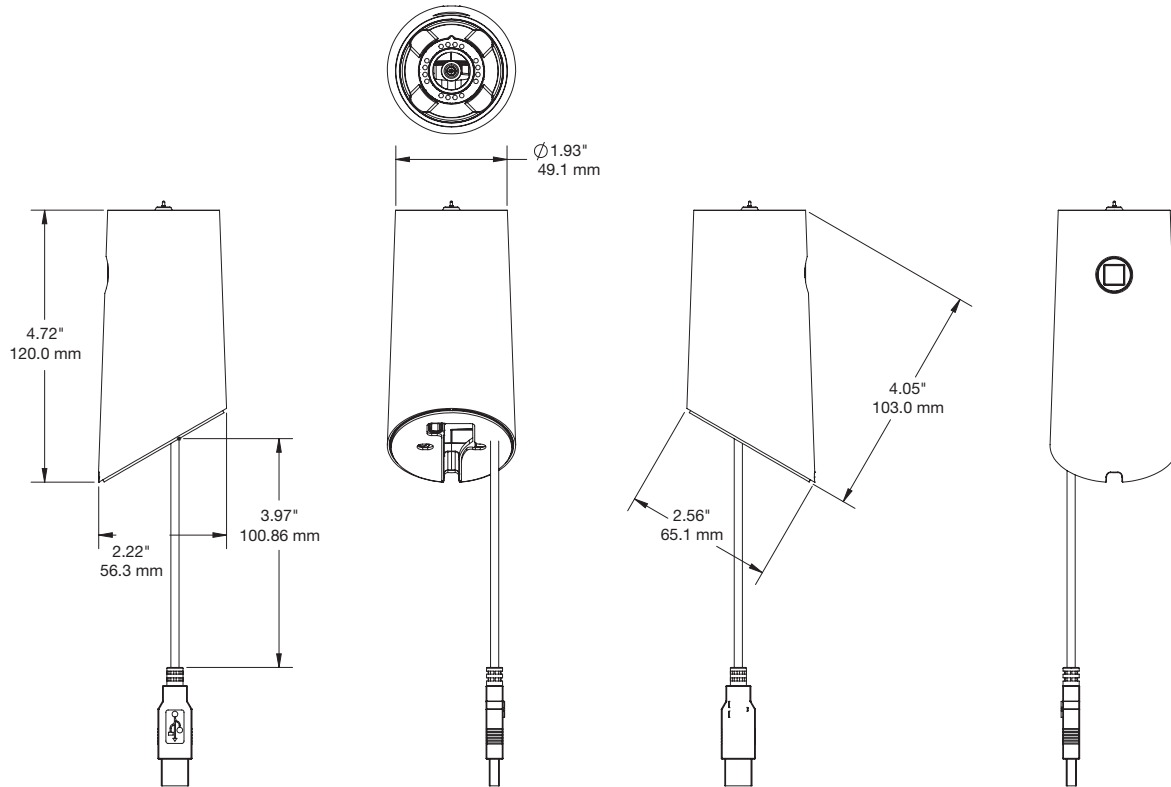
SPECIFICATIONS

OnePOD Non Connected Recoiler Standard Cable (DBD300):



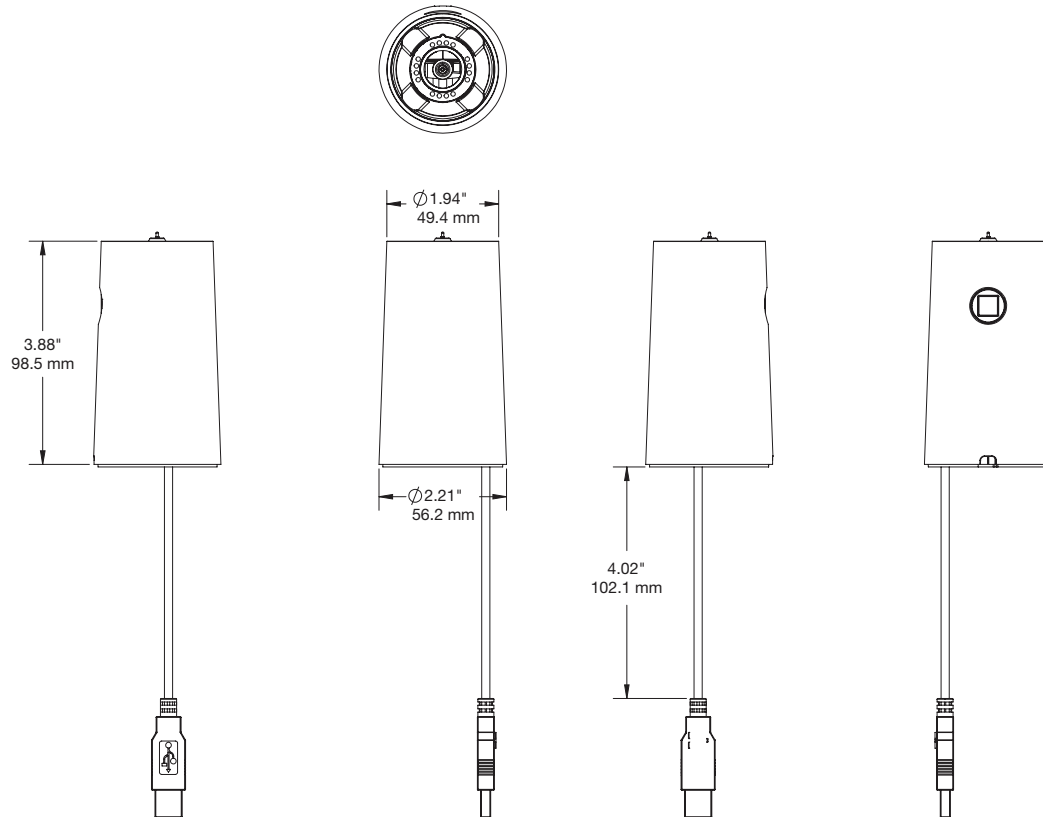
SPECIFICATIONS

One55/One65/One60 Angled Standard Security Basic Stand (DBD100; DBD120; DBD160):



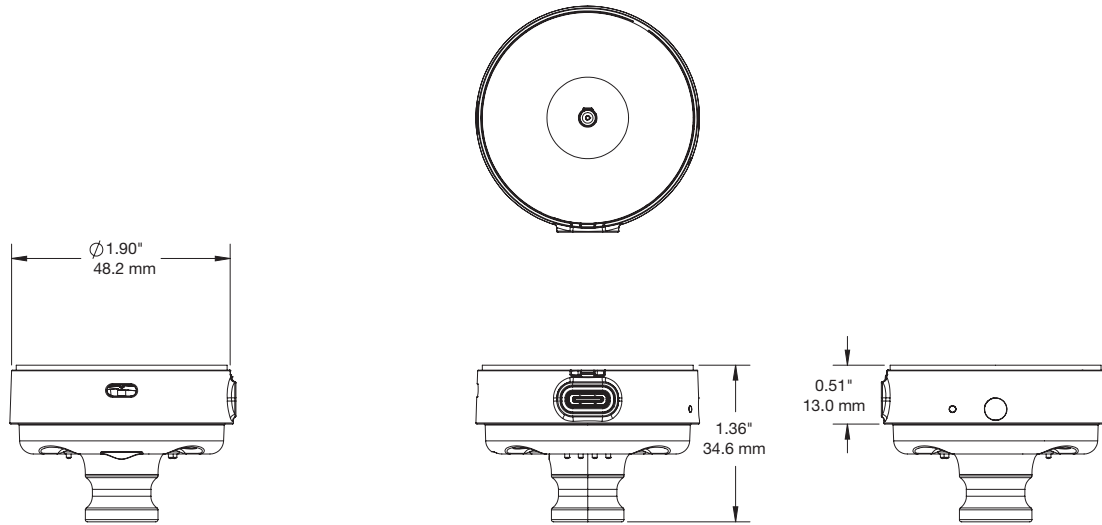
SPECIFICATIONS

One55/One65/One60 Flat Standard Security Basic Stand (DBD106; DBD126; DBD166):

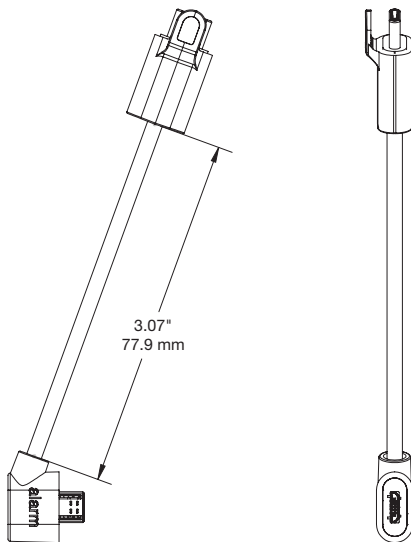


SPECIFICATIONS

One55/One65 Alarming Sensor (DBD200):

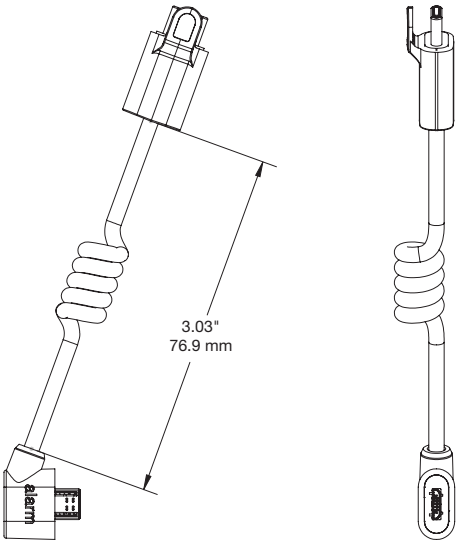


One55/One65/One60 HH USB Micro Power Connector (DBH500):

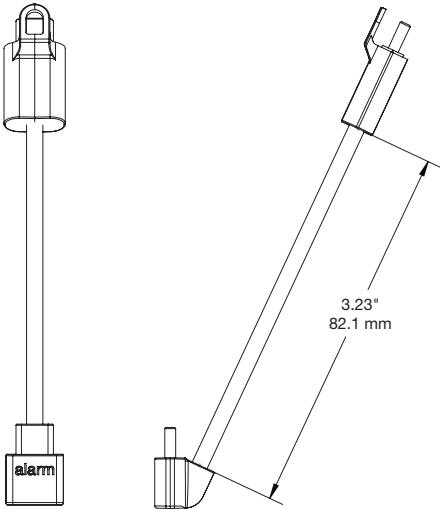


SPECIFICATIONS

One55/One65/One60 Tablet USB Micro Power Connector (DBT500):

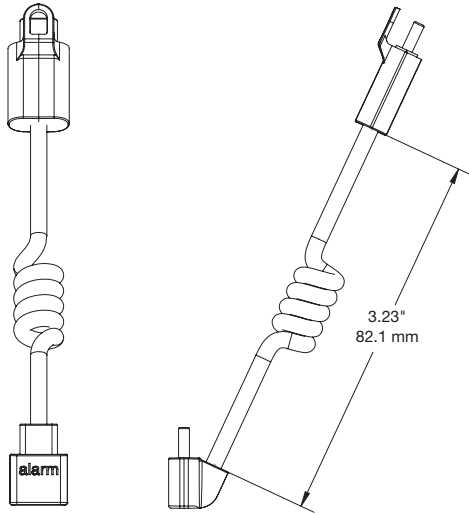


One55/One65/One60 HH USB Type C Power Connector (DBH501):

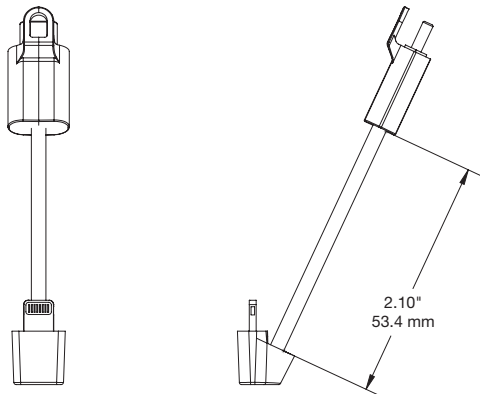


SPECIFICATIONS

One55/One65/One60 Tablet USB Type C Power Connector (DBT501):

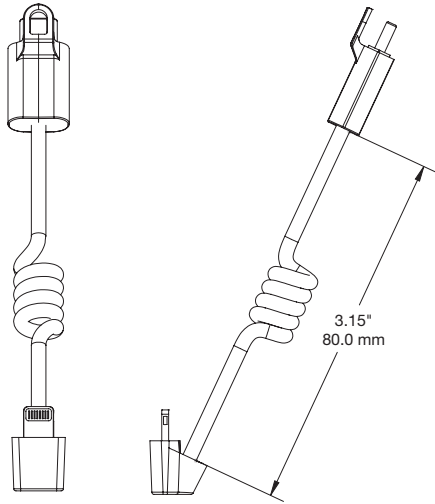


One55/One65/One60 HH Lightning Power Connector (DBH502):

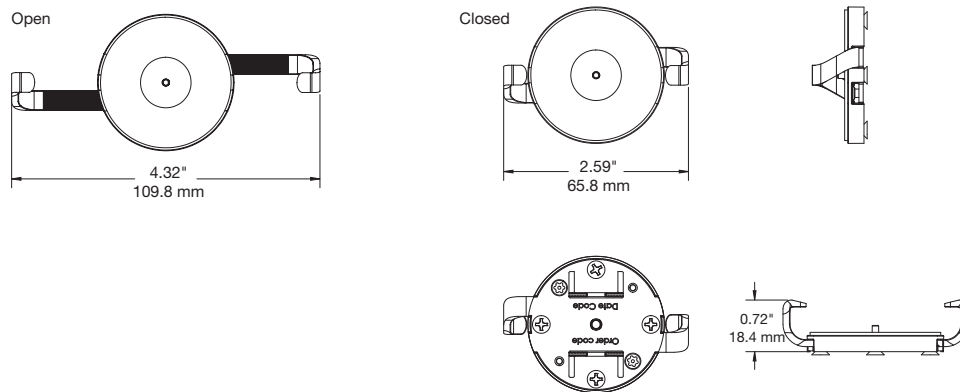


SPECIFICATIONS

One55/One65/One60 Tablet Lightning PowerConnector (DBT502):



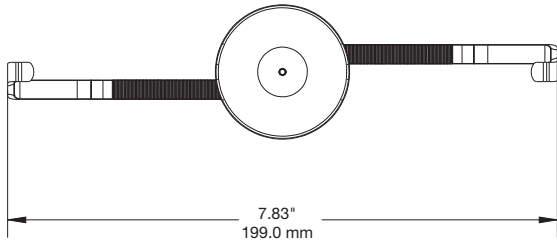
One55/One65/One60 2 Arm Bracket Plate with HH brackets (DBH282):



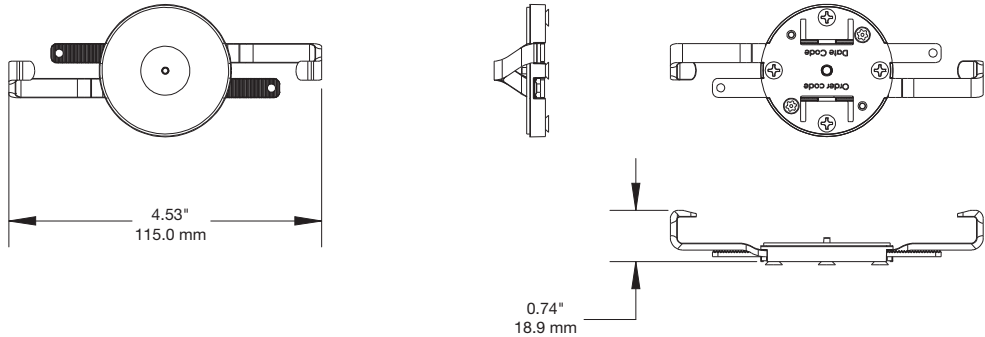
SPECIFICATIONS

One55/One65/One60 2 Arm Bracket Plate with tablet brackets (DBT282):

Open

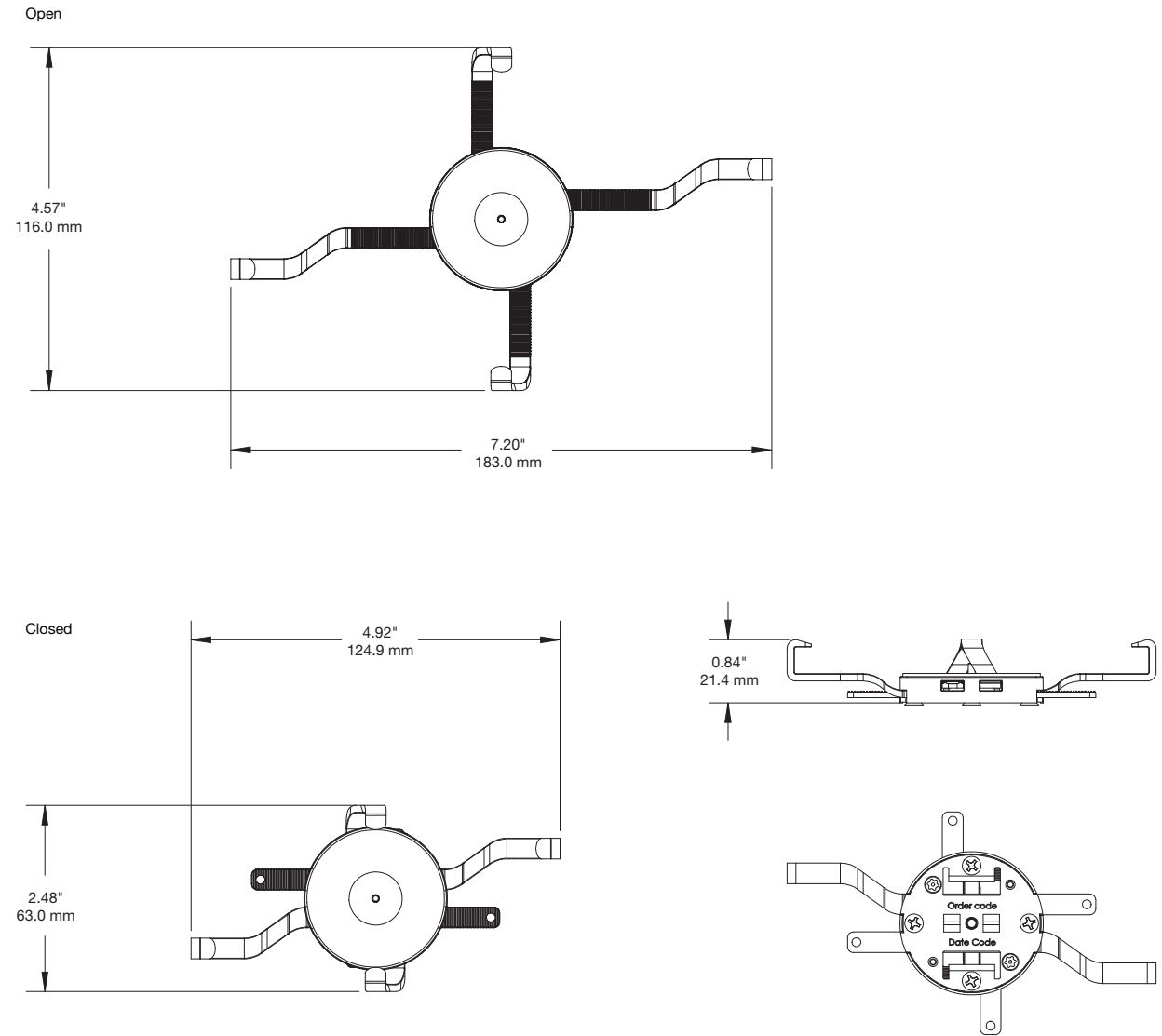


Close



SPECIFICATIONS

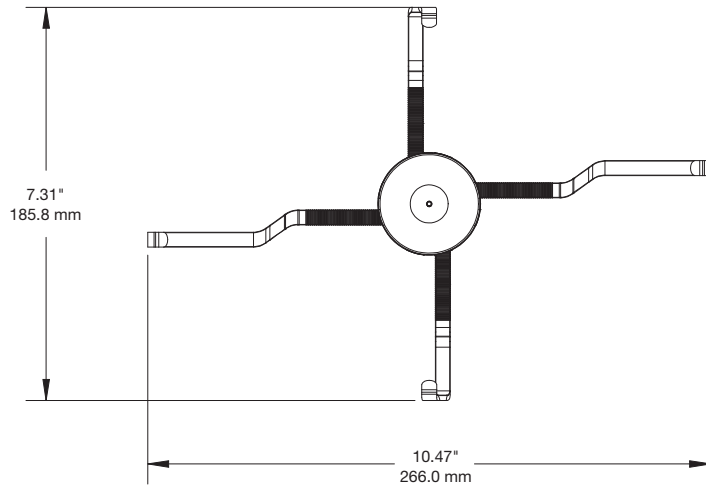
One55/One65/One60 4 Arm Bracket Plate with HH brackets (DBH284):



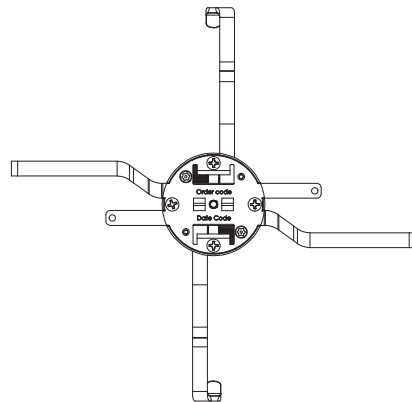
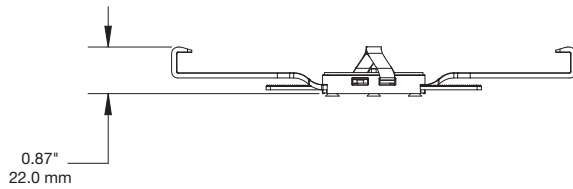
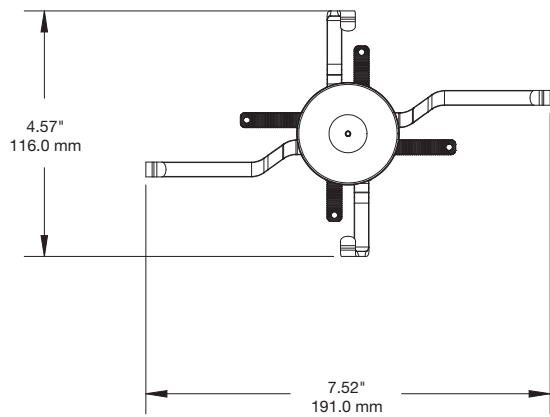
SPECIFICATIONS

One55/One65/One60 4 Arm Bracket Plate with tablet brackets (DBT284):

Open



Closed



POWER SUPPLY COMPATIBILITY

POWER SUPPLY	ONE40	ONE55	ONE65	ONE60 BASIC	ONE60 PREMIUM	ONE90 & ONE90QR
PS515	✓	✓		✓		
PS531			✓		✓	
PS535			✓		✓	



PRODUCT ORDERING

ORDER CODE	DESCRIPTION	NOTES	INVENTORY STATUS
One40			
DBD140-W DBD140-B	One40 Angled Puck - White One40 Angled Puck - Black		Core Market Planning
DBD141-W DBD141-B	One40 Flat Puck - White One40 Flat Puck - Black		Market Planning Market Planning
DBD205-W DBD205-B	One40 Non Alarming Sensor - White One40 Non Alarming Sensor - Black		Core Market Planning
DBD300	OnePOD Basic Recoiler Standard Cable		Core
DBD305	OnePOD Basic Recoiler High Security Cable		Market Planning
Power Supply			
PS515-AUS PS515-EU PS515-JPN PS515-KR PS515-UK PS515-US	5V USB-A Postitive Slope Power Supply (Australia) 5V USB-A Postitive Slope Power Supply (Europe) 5V USB-A Postitive Slope Power Supply (Japan) 5V USB-A Postitive Slope Power Supply (Korea) 5V USB-A Postitive Slope Power Supply (United Kingdom) 5V USB-A Postitive Slope Power Supply (United States)		
One55			
Stands			
DBD100-W† DBD100-B DBD100-S	One55 Angled Standard Security Basic Stand - White One55 Angled Standard Security Basic Stand - Black One55 Angled Standard Security Basic Stand - Silver		Core Market Planning Market Planning
DBD106-W DBD106-B	One55 Flat Standard Security Basic Stand - White One55 Flat Standard Security Basic Stand - Black		Market Planning Market Planning
DBD101-W DBD101-B	One55 Angled Enhanced Security Basic Stand - White One55 Angled Enhanced Security Basic Stand - Black		Market Planning Market Planning
DBD107-W DBD107-B	One55 Flat Enhanced Security Basic Stand - White One55 Flat Enhanced Security Basic Stand - Black		Market Planning Market Planning
DBD102-W DBD102-B	One55 Angled Standard Security Data Stand - White One55 Angled Standard Security Data Stand - Black		Market Planning Market Planning
DBD108-W DBD108-B	One55 Flat Standard Security Data Stand - White One55 Flat Standard Security Data Stand - Black		Market Planning Market Planning
DBD103-W DBD103-B	One55 Angled Enhanced Security Data Stand - White One55 Angled Enhanced Security Data Stand - Black		Market Planning Market Planning
DBD109-W DBD109-B	One55 Flat Enhanced Security Data Stand - White One55 Flat Enhanced Security Data Stand - Black		Market Planning Market Planning

*Market Planning designates that parts will be available with validated opportunity and standard lead-time

† Standard sensor should be ordered as kit: DBD800W



PRODUCT ORDERING

ORDER CODE	DESCRIPTION	NOTES	INVENTORY STATUS
One55			
Sensors			
DBD200-W† DBD200-B	One55/One65 Alarming Sensor - White One55/One65 Alarming Sensor - Black		Core Market Planning
DBD209-W DBD209-B	One55 Display Only Sensor - White One55 Display Only Sensor - Black		Core Market Planning
Stand/Sensor Kits			
DBD800-W DBD800-B	One55 Angled Standard Security Basic Stand with Sensor - White One55 Angled Standard Security Basic Stand with Sensor - Black		Core Market Planning
DBD801-W DBD801-B	One55 Angled Enhanced Security Basic Stand with Sensor - White One55 Angled Enhanced Security Basic Stand with Sensor - Black		Market Planning Market Planning
DBD810-W DBD810-B	One55 Angled Standard Security Basic Stand with Display Only Sensor - White One55 Angled Standard Security Basic Stand with Display Only Sensor - Black		Core Market Planning
DBD806-W DBD806-B	One55 Flat Standard Security Basic Stand with Sensor - White One55 Flat Standard Security Basic Stand with Sensor - Black		Market Planning Market Planning
DBD807-W DBD807-B	One55 Flat Enhanced Security Basic Stand with Sensor - White One55 Flat Enhanced Security Basic Stand with Sensor - Black		Market Planning Market Planning
DBD816-W DBD816-B	One55 Flat Standard Security Basic Stand with Display Only Sensor - White One55 Flat Standard Security Basic Stand with Display Only Sensor - Black		Market Planning Market Planning
DBD802-W DBD802-B	One55 Angled Standard Security Data Stand with Sensor - White One55 Angled Standard Security Data Stand with Sensor - Black		Market Planning Market Planning
DBD803-W DBD803-B	One55 Angled Enhanced Security Data Stand with Sensor - White One55 Angled Enhanced Security Data Stand with Sensor - Black		Market Planning Market Planning
DBD808-W DBD808-B	One55 Flat Standard Security Data Stand with Sensor - White One55 Flat Standard Security Data Stand with Sensor - Black		Market Planning Market Planning
DBD809-W DBD809-B	One55 Flat Enhanced Security Data Stand with Sensor - White One55 Flat Enhanced Security Data Stand with Sensor - Black		Market Planning Market Planning
Power Connectors			
DBH500-W DBH500-B	One55/One65/One60 HH USB Micro Pwr Connector - White One55/One65/One60 HH USB Micro Pwr Connector - Black	› 4 pack	Core Market Planning
DBT500-W DBT500-B	One55/One65/One60 Tablet USB Micro Pwr Connector - White One55/One65/One60 Tablet USB Micro Pwr Connector - Black	› 4 pack	Core Market Planning
DBH501-W DBH501-B	One55/One65/One60 HH USB Type C Pwr Connector - White One55/One65/One60 HH USB Type C Pwr Connector - Black	› 4 pack	Core Market Planning

*Market Planning designates that parts will be available with validated opportunity and standard lead-time

† Standard sensor should be ordered as kit: DBD800W



PRODUCT ORDERING

ORDER CODE	DESCRIPTION	NOTES	INVENTORY STATUS
One55			
Power Connectors			
DBT501-W DBT501-B	One55/One65/One60 Tablet USB Type C Pwr Connector - White One55/One65/One60 Tablet USB Type C Pwr Connector - Black	› 4 pack	Core Market Planning
DBH502-W DBH502-B	One55/One65/One60 HH Lightning Pwr Connector - White One55/One65/One60 HH Lightning Pwr Connector - Black	› 4 pack	Core Market Planning
DBT502-W DBT502-B	One55/One65/One60 Tablet Lightning Pwr Connector - White One55/One65/One60 Tablet Lightning Pwr Connector - Black	› 4 pack	Core Market Planning
Brackets			
DBH282-W DBH282-B	One55/One65/One60 2 Arm Bracket Plate - White (Black HH brackets) One55/One65/One60 2 Arm Bracket Plate - Black (Black HH brackets)		Core Market Planning
DBT282-W DBT282-B	One55/One65/One60 2 Arm Bracket Plate - White (Black tablet brackets) One55/One65/One60 2 Arm Bracket Plate - Black (Black tablet brackets)		Core Market Planning
DBH284-W DBH284-B	One55/One65/One60 4 Arm Bracket Plate - White (Black HH brackets) One55/One65/One60 4 Arm Bracket Plate - Black (Black HH brackets)		Core Market Planning
DBT284-W DBT284-B	One55/One65/One60 4 Arm Bracket Plate - White (Black tablet brackets) One55/One65/One60 4 Arm Bracket Plate - Black (Black tablet brackets)		Core Market Planning
Accessories & Power Supply			
DBG400	One55/One65/One60 Magnetic Tool	› 4 pack	Core
DQD405	S1060 and One55/One65 Screw Down Kit		Core
DBG402	One55/One65 Slot Mount Adapter Angled Stand		Core
DBG403-W DBG403-B	One55/One65 Insight Hub Cable - White One55/One65 Insight Hub Cable - Black		Core Market Planning
DBG405	One55/One65/One60 Dib Cable		Core
DBG407-W	One65/One60 Insight Hub Cable 5.0M - White		Core
DBG408	One55/One65 Slot Mount Adapter Flat Stand		Core
ADH2180	OnePOD Sensor Adhesive Replacement	› 8 pack	
ADH2181	OnePOD Angled Stand Adhesive Replacement	› 8 pack	
ADH2186	OnePOD Flat Stand Adhesive Replacement	› 8 pack	
PS515-AUS PS515-EU PS515-JPN PS515-KR PS515-UK PS515-US	5V USB-A Postitive Slope Power Supply (Australia) 5V USB-A Postitive Slope Power Supply (Europe) 5V USB-A Postitive Slope Power Supply (Japan) 5V USB-A Postitive Slope Power Supply (Korea) 5V USB-A Postitive Slope Power Supply (United Kingdom) 5V USB-A Postitive Slope Power Supply (United States)		

*Market Planning designates that parts will be available with validated opportunity and standard lead-time



PRODUCT ORDERING

ORDER CODE	DESCRIPTION	NOTES	INVENTORY STATUS
One65			
Stands			
DBD120-W DBD120-B	One65 Angled Standard Security Stand - White One65 Angled Standard Security Stand - Black		Core Market Planning
DBD126-W DBD126-B	One65 Flat Standard Security Stand - White One65 Flat Standard Security Stand - Black		Market Planning Market Planning
DBD121-W DBD121-B	One65 Angled Enhanced Security Stand - White One65 Angled Enhanced Security Stand - Black		Market Planning Market Planning
DBD127-W DBD127-B	One65 Flat Enhanced Security Stand - White One65 Flat Enhanced Security Stand - Black		Market Planning Market Planning
Sensors			
DBD200-W DBD200-B	One55/One65 Alarming Sensor - White One55/One65 Alarming Sensor - Black		Core Market Planning
DBD201-W DBD201-B	One65 Alarming Insight Sensor - White One65 Alarming Insight Sensor - Black		Core Market Planning
Power Connectors			
DBH500-W DBH500-B	One55/One65/One60 HH USB Micro Pwr Connector - White One55/One65/One60 HH USB Micro Pwr Connector - Black	› 4 pack	Core Market Planning
DBT500-W DBT500-B	One55/One65/One60 Tablet USB Micro Pwr Connector - White One55/One65/One60 Tablet USB Micro Pwr Connector - Black	› 4 pack	Core Market Planning
DBH501-W DBH501-B	One55/One65/One60 HH USB Type C Pwr Connector - White One55/One65/One60 HH USB Type C Pwr Connector - Black	› 4 pack	Core Market Planning
DBT501-W DBT501-B	One55/One65/One60 Tablet USB Type C Pwr Connector - White One55/One65/One60 Tablet USB Type C Pwr Connector - Black	› 4 pack	Core Market Planning
DBH502-W DBH502-B	One55/One65/One60 HH Lightning Pwr Connector - White One55/One65/One60 HH Lightning Pwr Connector - Black	› 4 pack	Core Market Planning
DBT502-W DBT502-B	One55/One65/One60 Tablet Lightning Pwr Connector - White One55/One65/One60 Tablet Lightning Pwr Connector - Black	› 4 pack	Core Market Planning
DBH507-W DBH507-B	One65/One60 HH USB Micro Insight Pwr Connector - White One65/One60 HH USB Micro Insight Pwr Connector - Black	› 4 pack	Core Market Planning
DBT507-W DBT507-B	One65/One60 Tablet USB Micro Insight Pwr Connector - White One65/One60 Tablet USB Micro Insight Pwr Connector - Black	› 4 pack	Core Market Planning
DBH508-W DBH508-B	One65/One60 HH USB Type C Insight Pwr Connector - White One65/One60 HH USB Type C Insight Pwr Connector - Black	› 4 pack	Core Market Planning
DBT508-W DBT508-B	One65/One60 Tablet USB Type C Insight Pwr Connector - White One65/One60 Tablet USB Type C Insight Pwr Connector - Black	› 4 pack	Core Market Planning

*Market Planning designates that parts will be available with validated opportunity and standard lead-time



PRODUCT ORDERING

ORDER CODE	DESCRIPTION	NOTES	INVENTORY STATUS
One65			
Power Connectors			
DBH509-W DBH509-B	One65/One60 HH Lightning Insight Pwr Connector - White One65/One60 HH Lightning Insight Pwr Connector - Black	› 4 pack	Core Market Planning
DBT509-W DBT509-B	One65/One60 Tablet Lightning Insight Pwr Connector - White One65/One60 Tablet Lightning Insight Pwr Connector - Black	› 4 pack	Core Market Planning
Brackets			
DBH282-W DBH282-B	One55/One65/One60 2 Arm Bracket Plate - White (Black HH brackets) One55/One65/One60 2 Arm Bracket Plate - Black (Black HH brackets)		Core Market Planning
DBT282-W DBT282-B	One55/One65/One60 2 Arm Bracket Plate - White (Black tablet brackets) One55/One65/One60 2 Arm Bracket Plate - Black (Black tablet brackets)		Core Market Planning
DBH284-W DBH284-B	One55/One65/One60 4 Arm Bracket Plate - White (Black HH brackets) One55/One65/One60 4 Arm Bracket Plate - Black (Black HH brackets)		Core Market Planning
DBT284-W DBT284-B	One55/One65/One60 4 Arm Bracket Plate - White (Black tablet brackets) One55/One65/One60 4 Arm Bracket Plate - Black (Black tablet brackets)		Core Market Planning
Accessories & Power Supply			
DBG400	One55/One65/One60 Magnetic Tool	› 4 pack	Core
DQD405	S1060 and One55/One65 Screw Down Kit		Core
DBG402	One55/One65 Slot Mount Adapter Angled Stand		Core
DBG403-W	One65/One60 Insight Hub Cable 2.5M - White		Core
DBG407-W	One65/One60 Insight Hub Cable 5.0M - White		Core
DBG405	One55/One65/One60 Dib Cable		Core
DBG408	One55/One65 Slot Mount Adapter Flat Stand		Core
ADH2180	OnePOD Sensor Adhesive Replacement	› 8 pack	
ADH2181	OnePOD Angled Stand Adhesive Replacement	› 8 pack	
ADH2186	OnePOD Flat Stand Adhesive Replacement	› 8 pack	
PS531-AUS PS531-EU PS531-JPN PS531-KR PS531-UK PS531-US	5V, 3A (5 Pin) Power Supply (Australia) 5V, 3A (5 Pin) Power Supply (Europe) 5V, 3A (5 Pin) Power Supply (Japan) 5V, 3A (5 Pin) Power Supply (Korea) 5V, 3A (5 Pin) Power Supply (UK) 5V, 3A (5 Pin) Power Supply (US)		Core
PS534	4-Port Power Box 5V, 3A		Core
PS535	5 Pin - PD Enabled Power Supply		Core

*Market Planning designates that parts will be available with validated opportunity and standard lead-time



PRODUCT ORDERING

ORDER CODE	DESCRIPTION	NOTES	INVENTORY STATUS
ONE60			
Stands			
DBD160-W DBD160-B	One60 Basic Angled Stand - White One60 Basic Angled Stand - Black		Core Market Planning
DBD166-W DBD166-B	One60 Basic Flat Stand - White One60 Basic Flat Stand - Black		Market Planning Market Planning
DBD162-W DBD162-B	One60 Premium Angled Stand - White One60 Premium Angled Stand - Black		Market Planning Market Planning
DBD168-W DBD168-B	One60 Premium Flat Stand - White One60 Premium Flat Stand - Black		Market Planning Market Planning
DBD600-W DBD600-B	One60 Angled Puck Basic - White One60 Angled Puck Basic - Black		BTO BTO
DBD601-W DBD601-B	One60 Flat Puck Basic - White One60 Flat Puck Basic - Black		BTO BTO
Sensors			
DBD210-W DBD210-B	One60 Alarming Sensor - White One60 Alarming Sensor - Black		Core Market Planning
DBD211-W DBD211-B	One60 Alarming Insight Sensor - White One60 Alarming Insight Sensor - Black		Core Market Planning
Stand/Sensor Kits			
DBD860-W DBD860-B	One60 Basic Angled Stand with Sensor - White One60 Basic Angled Stand with Sensor - Black		Core Market Planning
DBD866-W DBD866-B	One60 Basic Flat Stand with Sensor - White One60 Basic Flat Stand with Sensor - Black		Market Planning Market Planning
DBD862-W DBD862-B	One60 Premium Angled Stand with Sensor - White One60 Premium Angled Stand with Sensor - Black		Market Planning Market Planning
DBD868-W DBD868-B	One60 Premium Flat Stand with Sensor - White One60 Premium Flat Stand with Sensor - Black		Market Planning Market Planning
Power Connectors			
DBH500-W DBH500-B	One55/One65/One60 HH USB Micro Pwr Connector - White One55/One65/One60 HH USB Micro Pwr Connector - Black	› 4 pack	Core Market Planning
DBT500-W DBT500-B	One55/One65/One60 Tablet USB Micro Pwr Connector - White One55/One65/One60 Tablet USB Micro Pwr Connector - Black	› 4 pack	Core Market Planning
DBH501-W DBH501-B	One55/One65/One60 HH USB Type C Pwr Connector - White One55/One65/One60 HH USB Type C Pwr Connector - Black	› 4 pack	Core Market Planning
DBT501-W DBT501-B	One55/One65/One60 Tablet USB Type C Pwr Connector - White One55/One65/One60 Tablet USB Type C Pwr Connector - Black	› 4 pack	Core Market Planning

*Market Planning designates that parts will be available with validated opportunity and standard lead-time



PRODUCT ORDERING

ORDER CODE	DESCRIPTION	NOTES	INVENTORY STATUS
One60			
Power Connectors			
DBH502-W DBH502-B	One55/One65/One60 HH Lightning Pwr Connector - White One55/One65/One60 HH Lightning Pwr Connector - Black	› 4 pack	Core Market Planning
DBT502-W DBT502-B	One55/One65/One60 Tablet Lightning Pwr Connector - White One55/One65/One60 Tablet Lightning Pwr Connector - Black	› 4 pack	Core Market Planning
DBH507-W DBH507-B	One65/One60 HH USB Micro Insight Pwr Connector - White One65/One60 HH USB Micro Insight Pwr Connector - Black	› 4 pack	Core Market Planning
DBT507-W DBT507-B	One65/One60 Tablet USB Micro Insight Pwr Connector - White One65/One60 Tablet USB Micro Insight Pwr Connector - Black	› 4 pack	Core Market Planning
DBH508-W DBH508-B	One65/One60 HH USB Type C Insight Pwr Connector - White One65/One60 HH USB Type C Insight Pwr Connector - Black	› 4 pack	Core Market Planning
DBT508-W DBT508-B	One65/One60 Tablet USB Type C Insight Pwr Connector - White One65/One60 Tablet USB Type C Insight Pwr Connector - Black	› 4 pack	Core Market Planning
DBH509-W DBH509-B	One65/One60 HH Lightning Insight Pwr Connector - White One65/One60 HH Lightning Insight Pwr Connector - Black	› 4 pack	Core Market Planning
DBT509-W DBT509-B	One65/One60 Tablet Lightning Insight Pwr Connector - White One65/One60 Tablet Lightning Insight Pwr Connector - Black	› 4 pack	Core Market Planning
Brackets			
DBH284-W DBH284-B	One55/One65/One60 4 Arm Bracket Plate - White (Black HH brackets) One55/One65/One60 4 Arm Bracket Plate - Black (Black HH brackets)		Core Market Planning
DBT284-W DBT284-B	One55/One65/One60 4 Arm Bracket Plate - White (Black tablet brackets) One55/One65/One60 4 Arm Bracket Plate - Black (Black tablet brackets)		Core Market Planning
Accessories & Power Supply			
DBG400	One55/One65/One60 Magnetic Tool	› 4 pack	Core
DQD405	S1060 and One55/One65 Screw Down Kit		Core
DBG402	One55/One65 Slot Mount Adapter		Core
DBG403-W DBG403-B	One55/One65 Insight Hub Cable - White One55/One65 Insight Hub Cable -Black		Core Market Planning
DBG405	One55/One65/One60 Dib Cable		Core
DBG407-W	One65/One60 Insight Hub Cable 5.0M - White		Core
DBG408	One55/One65 Slot Mount Adapter Flat Stand		Core
ADH2180	OnePOD Sensor Adhesive Replacement	› 8 pack	
ADH2181	OnePOD Angled Stand Adhesive Replacement	› 8 pack	
ADH2186	OnePOD Flat Stand Adhesive Replacement	› 8 pack	

*Market Planning designates that parts will be available with validated opportunity and standard lead-time



PRODUCT ORDERING

ORDER CODE	DESCRIPTION	NOTES	INVENTORY STATUS
One60			
Accessories & Power Supply			
PS515-AUS	5V USB-A Postitive Slope Power Supply (Australia)	› Compatible with One60 Basic Stand	
PS515-EU	5V USB-A Postitive Slope Power Supply (Europe)		
PS515-JPN	5V USB-A Postitive Slope Power Supply (Japan)		
PS515-KR	5V USB-A Postitive Slope Power Supply (Korea)		
PS515-UK	5V USB-A Postitive Slope Power Supply (United Kingdom)		
PS515-US	5V USB-A Postitive Slope Power Supply (United States)		
PS531-AUS	5V, 3A (5 Pin) Power Supply (Australia)	› Compatible with One60 Premium Stand	Core
PS531-EU	5V, 3A (5 Pin) Power Supply (Europe)		
PS531-JPN	5V, 3A (5 Pin) Power Supply (Japan)		
PS531-KR	5V, 3A (5 Pin) Power Supply (Korea)		
PS531-UK	5V, 3A (5 Pin) Power Supply (UK)		
PS531-US	5V, 3A (5 Pin) Power Supply (US)		
PS535	5 Pin - PD Enabled Power Supply	› Compatible with One60 Premium Stand	Core
One90 & One90QR			
Stands			
DBD190-W	One90 Angled High Security Stand - White		Core
DBD190-B	One90 Angled High Security Stand - Black		Market Planning
DBD191-W	One90 Angled Quick Release High Security Stand - White		Core
DBD191-B	One90 Angled Quick Release High Security Stand - Black		Market Planning
DBD196-W	One90 Flat High Security Stand - White		Core
DBD196-B	One90 Flat High Security Stand - Black		Market Planning
DBD197-W	One90 Flat Quick Release High Security Stand - White		Core
DBD197-B	One90 Flat Quick Release High Security Stand - Black		Market Planning
Brackets			
DBH284-W	One55/One65/One60 4 Arm Bracket Plate - White (Black HH brackets)		Core
DBH284-B	One55/One65/One60 4 Arm Bracket Plate - Black (Black HH brackets)		Market Planning
DBT284-W	One55/One65/One60 4 Arm Bracket Plate - White (Black tablet brackets)		Core
DBT284-B	One55/One65/One60 4 Arm Bracket Plate - Black (Black tablet brackets)		Market Planning

*Market Planning designates that parts will be available with validated opportunity and standard lead-time

invue.com

©2018 InVue Security Products. No endorsement of InVue products has been made by any of the manufacturers of the products shown. Product is sold pursuant to InVue's warranty which can be found at www.invue.com/warranty.

THE AMERICAS 704.752.6513 • 888.55.INVUE

EUROPE, MIDDLE EAST & AFRICA +31.23.8900150

ASIA PACIFIC +852.3127.6811