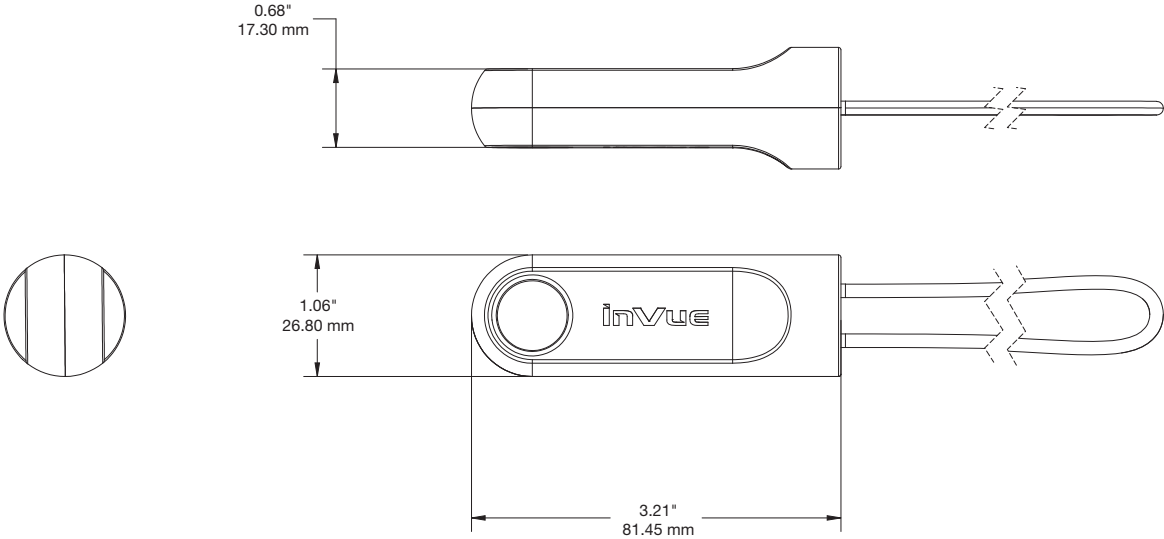


Cable Lock / Technical Specifications

SPECIFICATIONS

Cable Lock, 2-Alarm 6" (NCSAM2) or 48" (NCLAM2):

Cable Lock, 3-Alarm 6" (NCSAM2) or 48" (NCLAM2):



PRODUCT ORDERING

ORDER CODE	DESCRIPTION	NOTES
NCSAM2	Cable Lock, 2 Alarm, 6", AM	
NCSRF2	Cable Lock, 2 Alarm, 6", RF	
NCLAM2	Cable Lock, 2 Alarm, 48", AM	
NCLRF2	Cable Lock, 2 Alarm, 48", RF	
NCSAM3-50	Cable Lock, 3 Alarm, 6", AM, 50 Hz	<ul style="list-style-type: none"> › Tuned and compatible with AM gates in countries that operate on 50Hz power frequency › Build To Order (BTO) with a minimum order quantity of 5,000 units
NCLAM3-50	Cable Lock, 3 Alarm, 48", AM, 50 Hz	<ul style="list-style-type: none"> › Tuned and compatible with AM gates in countries that operate on 50Hz power frequency › Build To Order (BTO) with a minimum order quantity of 5,000 units
NCSAM3-60	Cable Lock, 3 Alarm, 6", AM, 60 Hz	<ul style="list-style-type: none"> › Tuned and compatible with AM gates in countries that operate on 60Hz power frequency › BTO (build to order) with a minimum order quantity of 5,000 units
NCLAM3-60	Cable Lock, 3 Alarm, 48", AM, 60 Hz	<ul style="list-style-type: none"> › Tuned and compatible with AM gates in countries that operate on 60Hz power frequency › Build To Order (BTO) with a minimum order quantity of 5,000 units
NCSRF3	Cable Lock, 3 Alarm, 6", AM	<ul style="list-style-type: none"> › Build To Order (BTO) with a minimum order quantity of 5,000 units
NCLRF3	Cable Lock, 3 Alarm, 48", RF	<ul style="list-style-type: none"> › Build To Order (BTO) with a minimum order quantity of 5,000 units

invue.com

©2018 InVue Security Products. No endorsement of InVue products has been made by any of the manufacturers of the products shown. Product is sold pursuant to InVue's warranty which can be found at www.invue.com/warranty.

THE AMERICAS 704.752.6513 • 888.55.INVUE
EUROPE, MIDDLE EAST & AFRICA +31.23.8900150
ASIA PACIFIC +852.3127.6811

