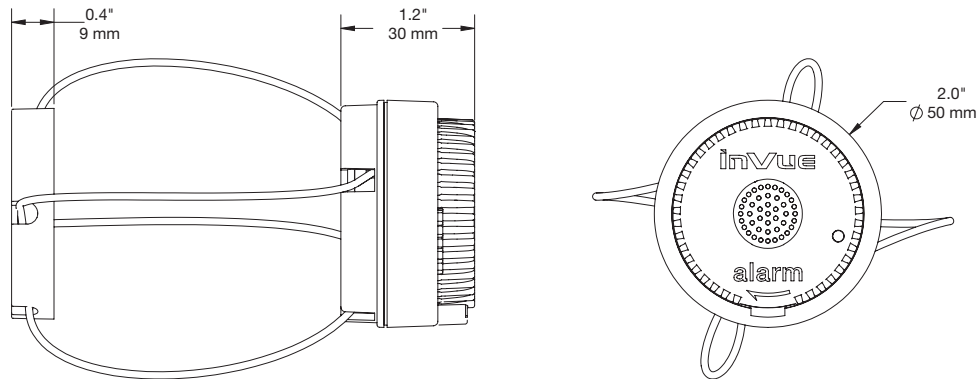


## SPECIFICATIONS

Small Package Wrap (NW52):



## PRODUCT ORDERING

ORDER CODE	DESCRIPTION	NOTES
NW52	Small Package Wrap - Black	<ul style="list-style-type: none"><li>› 52 inches (132cm)</li><li>› AM/RF</li></ul>

[invue.com](http://invue.com)

©2018 InVue Security Products. No endorsement of InVue products has been made by any of the manufacturers of the products shown. Product is sold pursuant to InVue's warranty which can be found at [www.invue.com/warranty](http://www.invue.com/warranty).

**THE AMERICAS** 704.752.6513 • 888.55.INVUE  
**EUROPE, MIDDLE EAST & AFRICA** +31.23.8900150  
**ASIA PACIFIC** +852.3127.6811