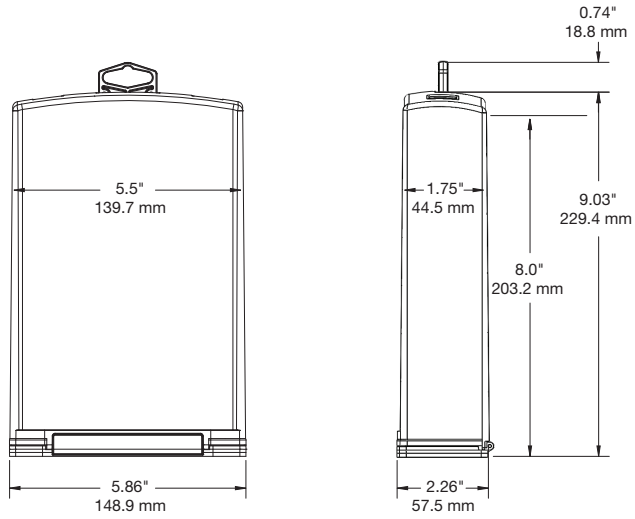
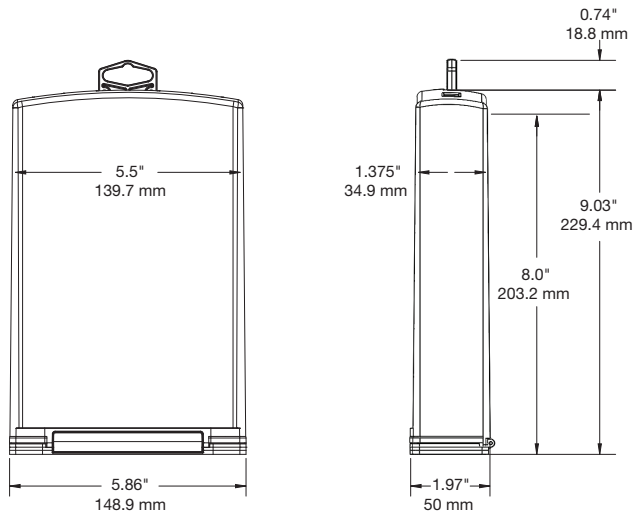


SPECIFICATIONS

Safer (NB1):

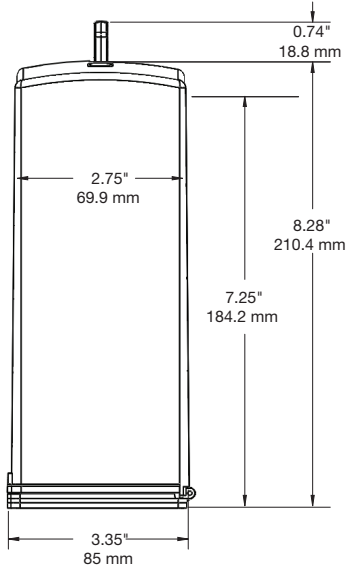
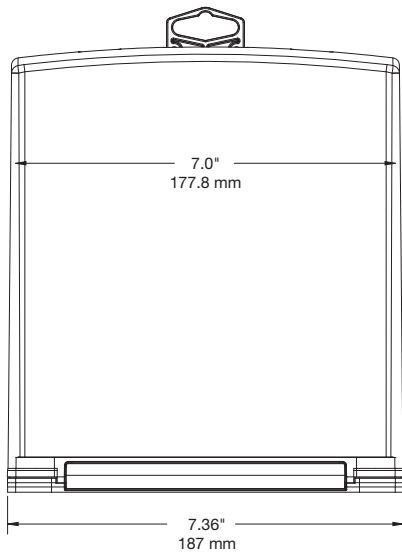


Safer (NB2):



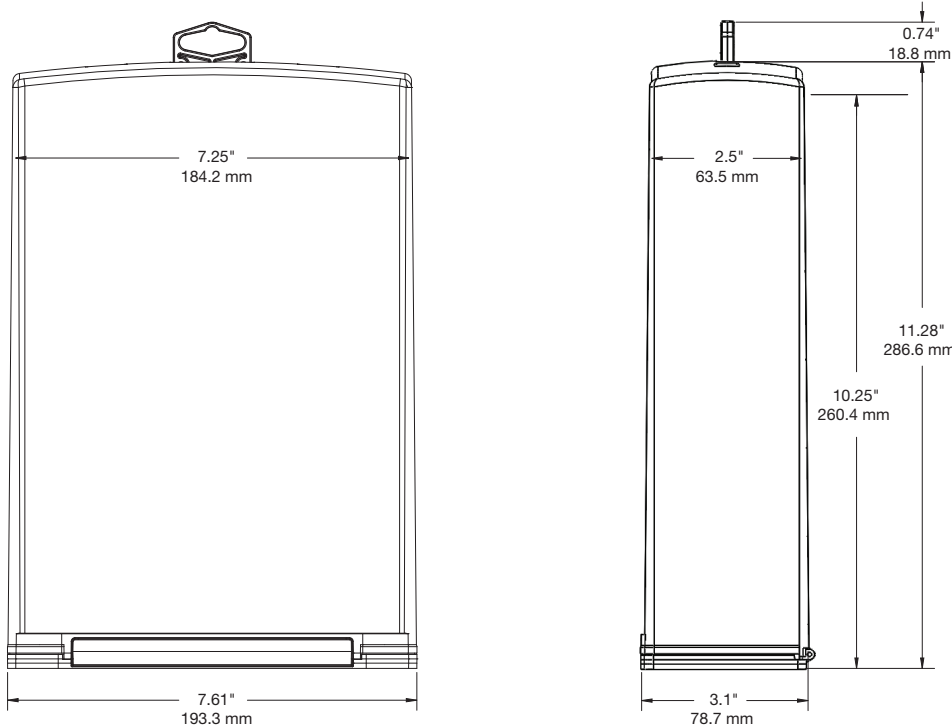
SPECIFICATIONS

Safer (NB3):



SPECIFICATIONS

Safer (NB4):



PRODUCT ORDERING

ORDER CODE	DESCRIPTION	INTERNAL DIMENSIONS	CARTON QTY.
NB1	Safer - No EAS	8"H x 5.5"W x 1.75"D	12
NB1AM	Safer - AM	8"H x 5.5"W x 1.75"D	12
NB1RF	Safer - RF	8"H x 5.5"W x 1.75"D	12
NB1-S	Safer - Swivel Tab	8"H x 5.5"W x 1.75"D	12
NB1AM-S	Safer - AM, Swivel Tab	8"H x 5.5"W x 1.75"D	12
NB1RF-S	Safer - RF, Swivel Tab	8"H x 5.5"W x 1.75"D	12
NB2	Safer - No EAS	8"H x 5.5"W x 1.375"D	12
NB2AM	Safer - AM	8"H x 5.5"W x 1.375"D	12
NB2RF	Safer - RF	8"H x 5.5"W x 1.375"D	12
NB2-S	Safer - Swivel Tab	8"H x 5.5"W x 1.375"D	12
NB2AM-S	Safer - AM, Swivel Tab	8"H x 5.5"W x 1.375"D	12
NB2RF-S	Safer - RF, Swivel Tab	8"H x 5.5"W x 1.375"D	12
NB3	Safer - No EAS	7.25"H x 7"W x 2.75"D	12
NB3AM	Safer - AM	7.25"H x 7"W x 2.75"D	12
NB3RF	Safer - RF	7.25"H x 7"W x 2.75"D	12
NB3-S	Safer - Swivel Tab	7.25"H x 7"W x 2.75"D	12
NB3AM-S	Safer - AM, Swivel Tab	7.25"H x 7"W x 2.75"D	12
NB3RF-S	Safer - RF, Swivel Tab	7.25"H x 7"W x 2.75"D	12
NB4	Safer - No EAS	10.25"h x 7.25"W x 2.5"D	12
NB4AM	Safer - AM	10.25"h x 7.25"W x 2.5"D	12
NB4RF	Safer - RF	10.25"h x 7.25"W x 2.5"D	12
NB4-S	Safer - Swivel Tab	10.25"h x 7.25"W x 2.5"D	12
NB4AM-S	Safer - AM, Swivel Tab	10.25"h x 7.25"W x 2.5"D	12
NB4RF-S	Safer - RF, Swivel Tab	10.25"h x 7.25"W x 2.5"D	12

invue.com

©2018 InVue Security Products. No endorsement of InVue products has been made by any of the manufacturers of the products shown. Product is sold pursuant to InVue's warranty which can be found at www.invue.com/warranty.

THE AMERICAS 704.752.6513 • 888.55.INVUE
EUROPE, MIDDLE EAST & AFRICA +31.23.8900150
ASIA PACIFIC +852.3127.6811