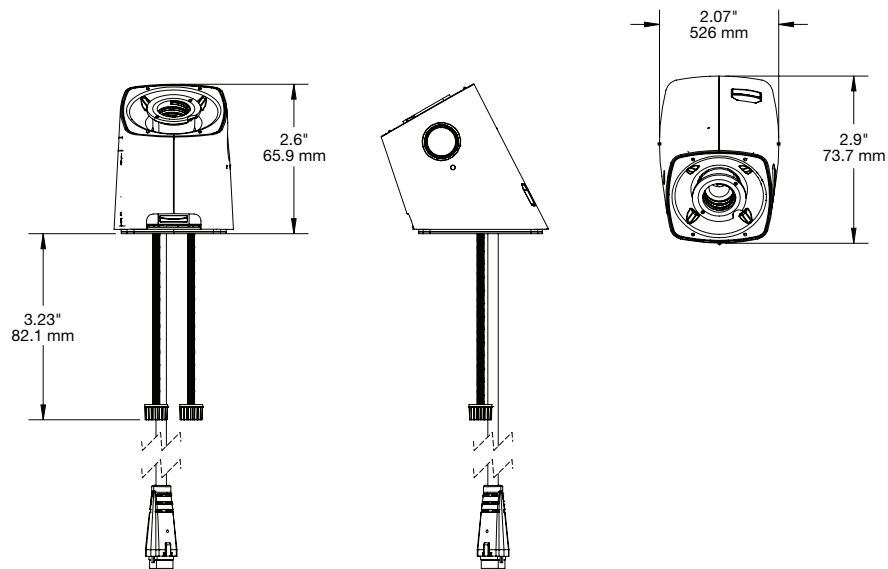
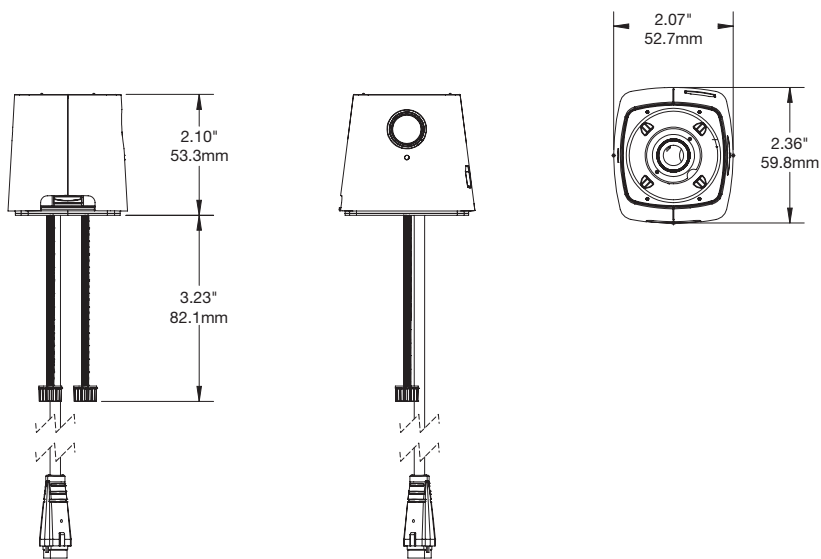


SPECIFICATIONS

Series 1560 Angled Alarming Stand (DSD100-W):

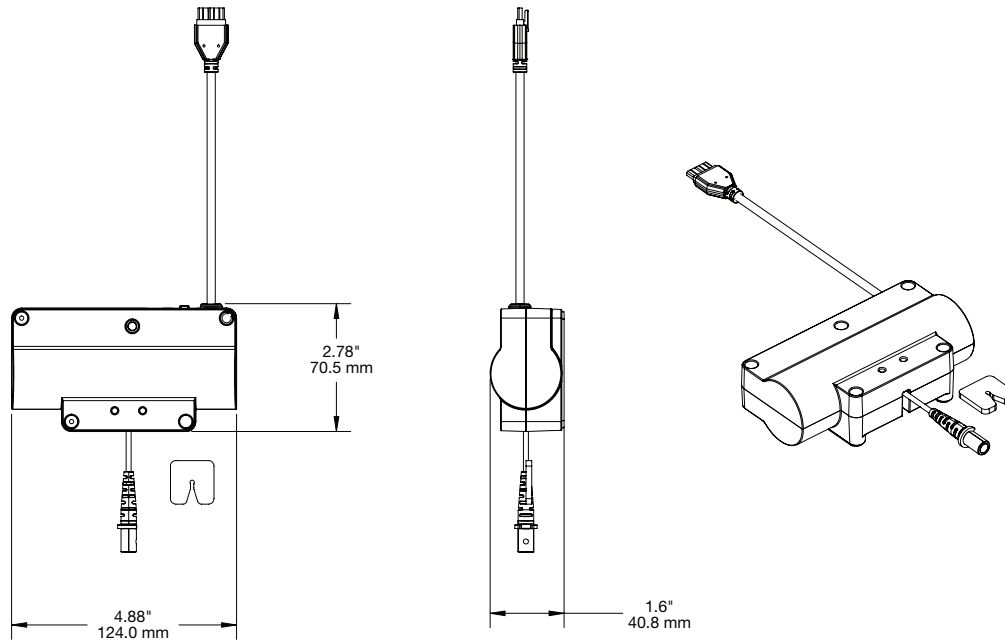


Series 1560 Zero Degree Alarming Stand (DSD101-W):

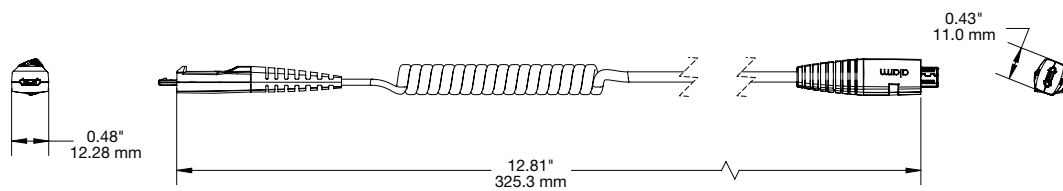


SPECIFICATIONS

Series 1560 Recoiler (DSD300-W):

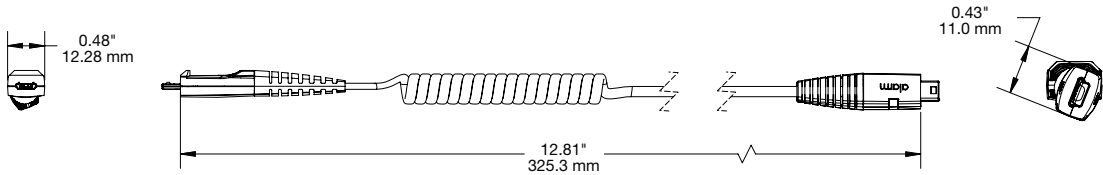


Series 1560 Micro USB AP Sensor (DRD201-W):

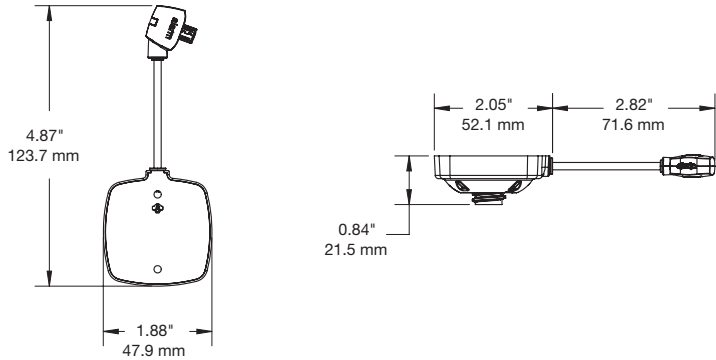


SPECIFICATIONS

Series 1560 Mini USB AP Sensor (DRD202-W):

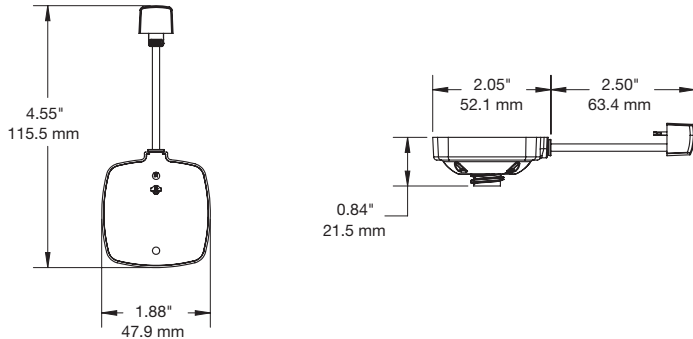


Series 1560 Micro USB Handheld Sensor (DRH200-W):

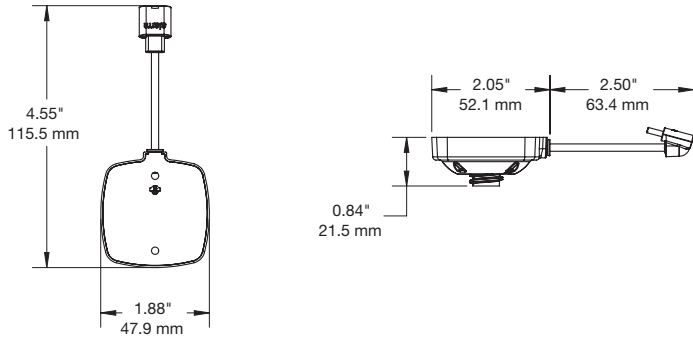


SPECIFICATIONS

Series 1560 Apple Lightning Handheld Sensor (DRH201-W):

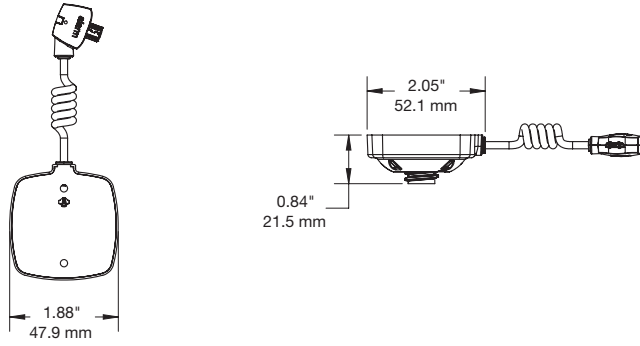


Series 1560 USB Type C Handheld Sensor (DRH202-W):

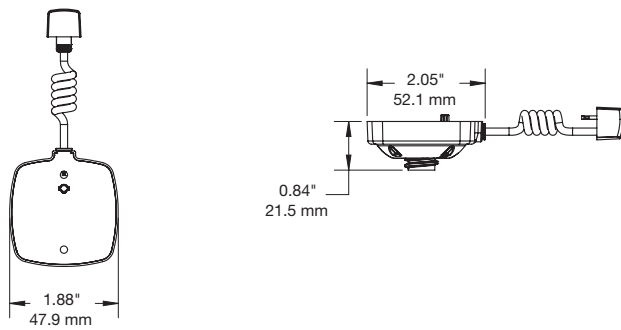


SPECIFICATIONS

Series 1560 Tablet Micro USB Sensor (DRT200-W):

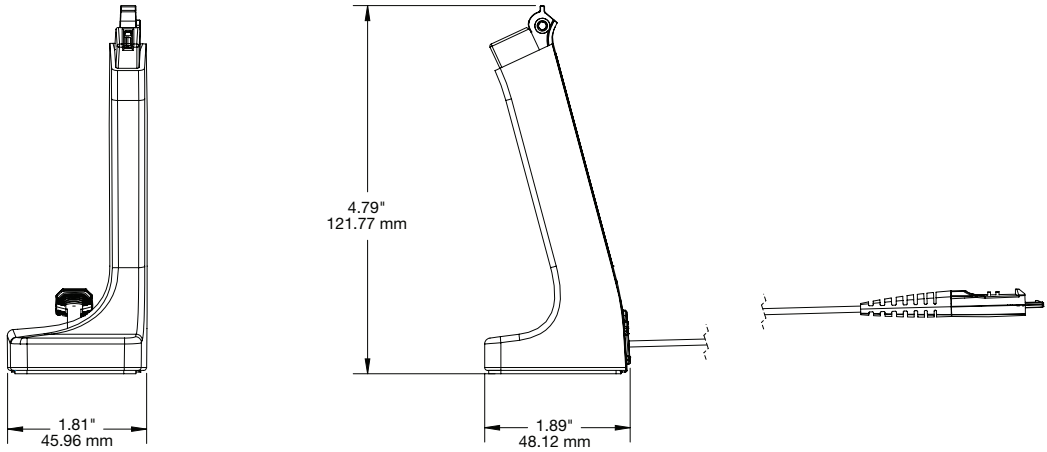


Series 1560 Tablet Apple Lightning Sensor (DRT201-W):

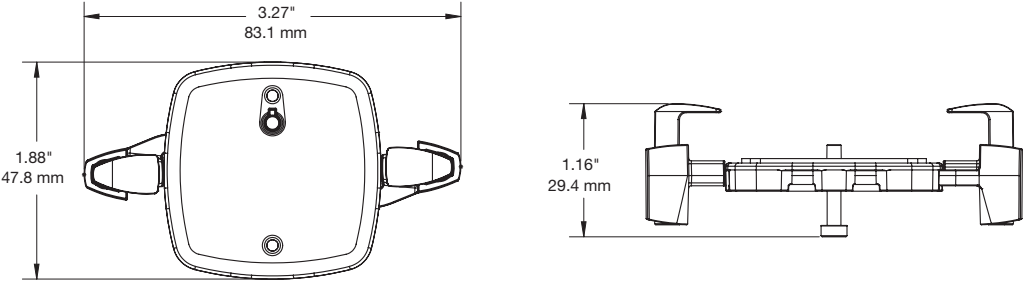


SPECIFICATIONS

Series 1560 WS1 Wearable Stand (DRD205-W):



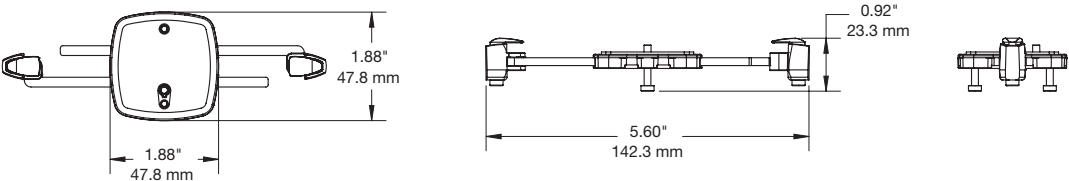
Series 1560 Handheld Arm Bracket and Mounting Plate (DRH203):



SPECIFICATIONS

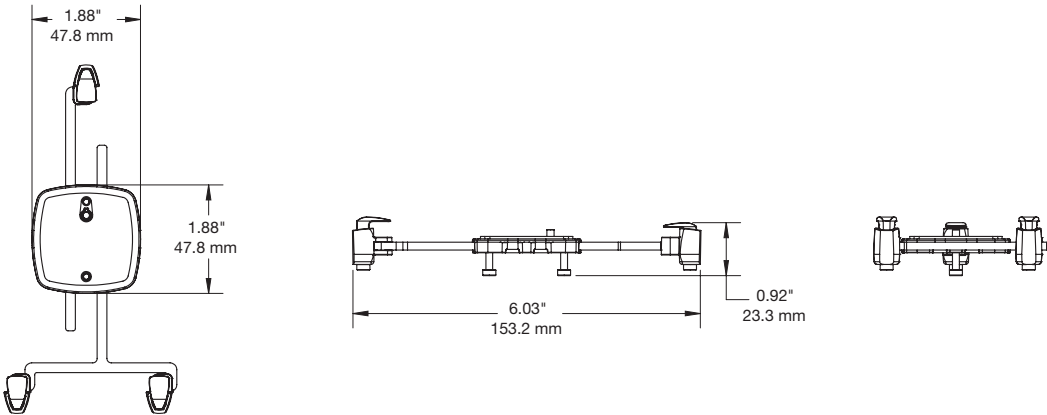
Series 1560 Tablet Arm Bracket and Mounting Plate (DRT203):

(For mounting tablets in a portrait orientation only.)



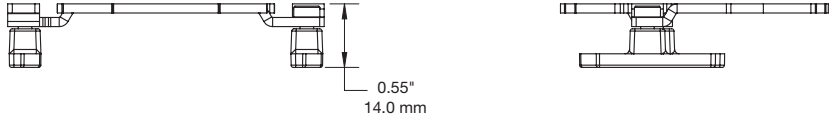
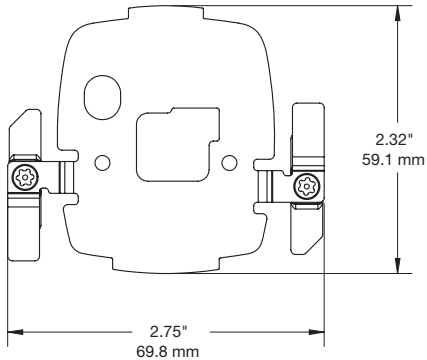
Series 1560 Tablet Viper Arm Bracket and Mounting Plate (DRT204):

(For mounting tablets in a landscape orientation only.)

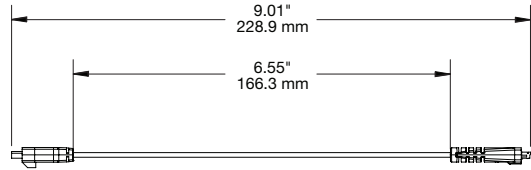


SPECIFICATIONS

Series 1560 Slot Mount Kit (DRD400):

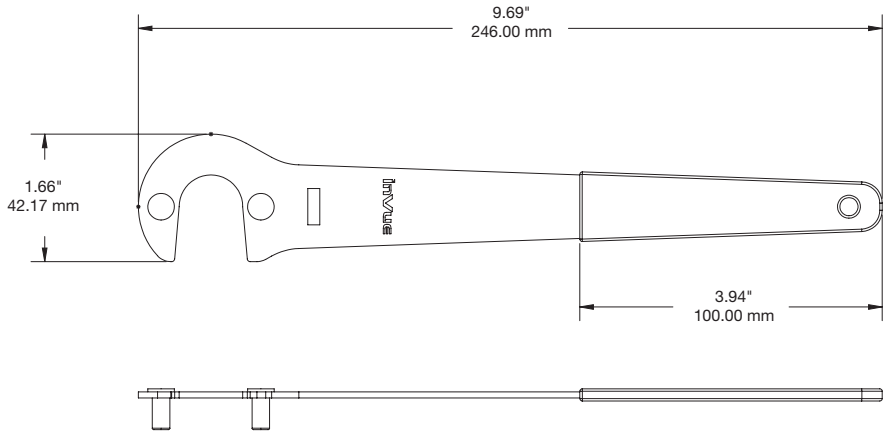


Series 1560 Interactive Cable (DRD402):

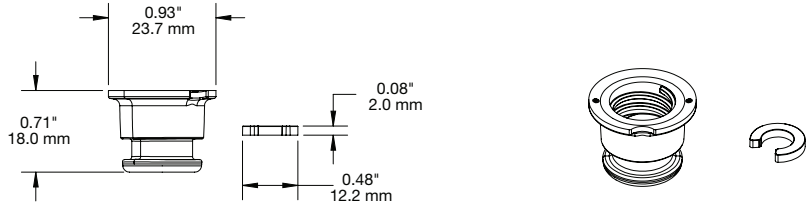


SPECIFICATIONS

Series 1560 Removal Adapter (DRG401):



Series 1560 Cable Clip and Collar Replacement Kit (DSD403-W):



PRODUCT ORDERING

ORDER CODE	DESCRIPTION	CARTON QTY.
DSD100-W	Series 1560 Angled Alarming Stand	1
DSD101-W	Series 1560 Zero Degree Alarming Stand	1
DSD300-W	Series 1560 Recoiler - White	1
DRD201-W	Series 1560 Micro USB AP Sensor	32
DRD202-W	Series 1560 Mini USB AP Sensor	32
DRH200-W	Series 1560 Micro USB Handheld Sensor	32
DRH201-W	Series 1560 Apple Lightning Handheld Sensor	32
DRH202-W	Series 1560 USB Type C Handheld Sensor	32
DRT200-W	Series 1560 Tablet Micro-USB Sensor	32
DRT201-W	Series 1560 Tablet Apple Lightning Sensor	32
DRT207-W	Series 1560 Tablet USB Type C Sensor	32
DRD205-W	Series 1560 WS1 Wearable Stand	1
BRACKETS, ACCESSORIES & REPLACEMENT PARTS		
DRH203	Series 1560 Handheld Arm Bracket and Mounting Plate	48
DrT203	Series 1560 Tablet Arm Bracket and Mounting Plate	48
DrT204	Series 1560 Tablet Viper Arm Bracket and Mounting Plate	48
DRT206-W	Series 1560 Apple iPad Air Custom Arms	48
DrD401	Series 1560 Slot Mount Accessory	48
DRD402	Digital Signage Trigger/Adapter/CCTV Cable	48
ADH2083	Series 1560 Sensor Adhesive, 8 Pack	8
ADH2097	Series 1560 Angled Stand PSA Replacement Kit, 8 Pack	8
ADH2098	Series 1560 Zero Degree Stand PSA Replacement Kit, 8 Pack	8
DRG400	Series 1560 Removal Adapter	25
DSD403-W	Series 1560 Cable Clip & Collar Replacement Kit	200
AF6313	Multi Tool (use with DRG400 to remove sensor)	25



PRODUCT ORDERING

ORDER CODE	DESCRIPTION	CARTON QTY.
ACCESSORY SENSORS (USED WITH ACCESSORY PORT FOR CROSS-MERCHANDISING)		
DRD201-W	Micro USB AP Accessory Sensor	32
DRD202-W	Mini USB AP Accessory Sensor	32
DRD203-W	Type C AP Accessory Sensor	32
DRD204-W	Apple Lightning AP Accessory Sensor	32
ZA2715-W	Zips Band Sensor - Small	50
ZA2716-W	Zips Band Sensor - Large	50
POWER SUPPLIES		
PS530-US	5V, 3A (5-pin) Power Supply - US	32
PS530-UK	5V, 3A (5-pin) Power Supply - UK	
PS530-EU	5V, 3A (5-pin) Power Supply - EU	
PS530-JPN	5V, 3A (5-pin) Power Supply - JPN	

invue.com

©2018 InVue Security Products. No endorsement of InVue products has been made by any of the manufacturers of the products shown. Product is sold pursuant to InVue's warranty which can be found at www.invue.com/warranty.

THE AMERICAS 704.752.6513 • 888.55.INVUE
EUROPE, MIDDLE EAST & AFRICA +31.23.8900150
ASIA PACIFIC +852.3127.6811